

**FANTECH**TRADE **///**

**MADE FOR TRADE**

**FULLY ADJUSTABLE  
RUN-ON TIMER  
INSTALLATION & MAINTENANCE  
INSTRUCTIONS**



**ROTADJ20R5D**

## ROTADJ20R5D – Fully Adjustable Run-on Timer

### ▲ Important

All electrical installations must be carried out by suitably qualified and competent personnel in accordance with all statutory requirements.

## SETTINGS

---

### ▲ Warning

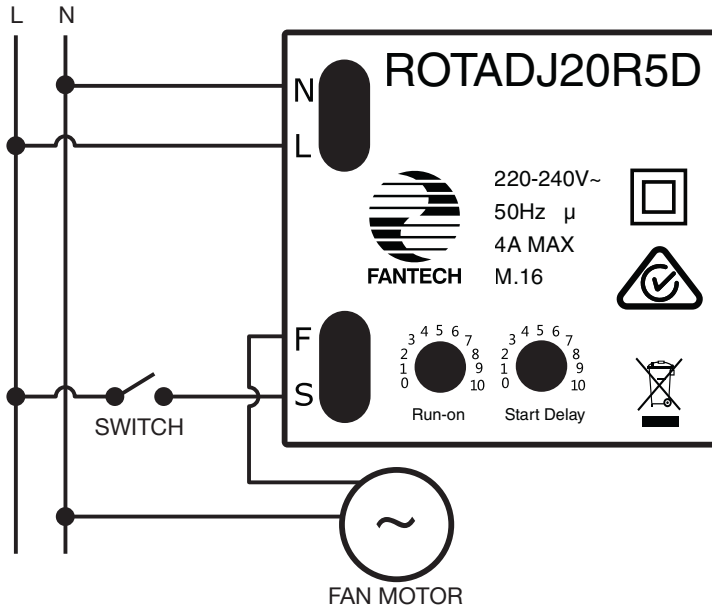
**Treat the product as live and dangerous when power is connected. Only connect power to the product when it has been safely sealed away inside a flush box or terminal box.**

01. Select the desired fan START DELAY time you want by adjusting the Off-Time potentiometer.
02. Select the desired fan RUN-ON time you want by adjusting the On-Time potentiometer.
03. Ensure the wall switch is open for 5 seconds after power is applied.

Potentiometer Value	On-Time (Run-On)	Off-Time (Delay Start)
0	0 min	0 secs
1	2 min	30 secs
2	4 min	1 min
3	6 min	1.5 min
4	8 min	2 min
5	10 min	2.5 min
6	12 min	3 min
7	14 min	3.5 min
8	16 min	4 min
9	18 min	4.5 min
10	20 min	5 min

04. When the fan is powered on, an LED between the dials will flash according to the setting of the On-Time knob, then the Off-Time knob. An initial 1 second long flash will be followed by a number of short 1/4 second flashes corresponding to the dial values.
05. The timer is in test mode for the first 5 minutes after being powered on. In test mode, the LED will light up then flash according to the setting of the knob when changed.

# WIRING DIAGRAM



# WARRANTY



Scan the above QR code or visit  
[www.fantech.com.au/warranty](http://www.fantech.com.au/warranty)  
to view **WARRANTY**  
information online



[www.fantechtrade.com.au](http://www.fantechtrade.com.au)  
[www.fantechtrade.co.nz](http://www.fantechtrade.co.nz)

Australia: 1300 387 587  
New Zealand: 0800 106 266

[info@fantechtrade.com.au](mailto:info@fantechtrade.com.au)