

MANROSE® SIERRA

PREMIUM HEAT, LIGHT AND EXHAUST **3 in 1**
BY VENTAIR PTY LTD



MR2DXWH / MR2DXBL

Installation Instructions

Please read these instructions

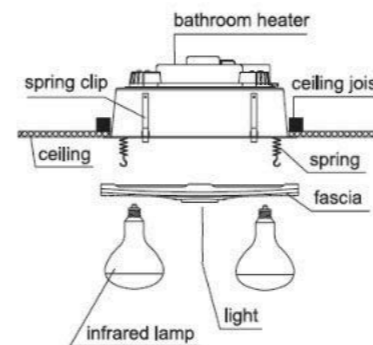
Thank you for purchasing the Manrose Sierra Premium Heat, Light and Exhaust unit. To ensure a safe and successful installation, please make sure to read this manual, ensure it is on hand for your installer to refer to and keep in a safe place for future reference.

Safety Considerations

1. ALL electrical work should only be carried out by a licenced electrical contractor in accordance with AS NZS 3000.
2. This appliance is not intended for use by persons (including children) with reduced physical, sensory, or mental capabilities, or lack of experience and knowledge, unless they have been given supervision or instruction concerning the use of the appliance by a person responsible for their safety.
3. Before commencing any electrical work, ensure the power is disconnected and/or the mains switched off at the power supply.
4. This product has been designed to operate on a nominal supply voltage of 230 -240V AC.
5. The Bathroom Heater/Exhaust/Light unit must be earthed.
6. Disconnection may be achieved by having the plug accessible, or by incorporating a switch into the fixed wiring in accordance with wiring rules. The Bathroom Heater/Exhaust/Light must be isolated by means of a plug or all-pole disconnection switch with a contact separation of at least 3mm in each pole.
7. Use the Instant Heat only as described in this instruction, other use may cause fire or electric shock.
8. This product has been designed for INDOOR domestic or similar uses and is not suitable for a commercial installation. It is not suitable for use in an environment heavily-laden with dust and/or corrosive areas. Under these conditions the life of the fan motor can be significantly reduced.
9. The bulbs are hot when in use. Do not touch the infrared bulbs with any part of your body when in use. Allow all bulbs to cool sufficiently before touching or replacing.
10. The bulbs on this product should be tightened until fit is secure. Over tightening may damage the bulbs and under tightening may result in hot joints.
11. This product contains no serviceable parts and no attempt should be made to repair this product.
12. Regular cleaning of dust and contaminants should be done with ONLY a damp cloth, solvents should never be used.
13. This product has been designed to operate in ambient temperatures up to 40°C.
14. This product is to be installed so that switches CANNOT be touched or operated by a person in the bath or shower.
15. Joists, beams and rafters must not be cut, notched or damaged in the installation of this product.
16. Ventilation products must have an adequate source of external air to ensure rated performance can be achieved.
17. The ducting of the Manrose Sierra Premium Heat, Light and Exhaust unit must not be put in the same flue as air-fuelled water heaters or open-fire appliances.
18. This product should not be enclosed in thermal insulation as it may cause the unit to overheat.
19. This product should not be operated for more than 40 minutes continuously, turn off when not in use.
20. The terminals on this product should not be over-tightened. Over tightening may damage the product, under tightening may result in hot joints.
21. This unit is for ceiling mounting only, a minimum 2.1m above floor level. Do not install in wardrobes or within 250mm of walls. There is a danger of combustion if placed too close to curtains or other flammable materials.
22. Consideration must be taken in the installation of ducts to ensure that the condensation that will form in the duct will not run back in to the fan housing.

24. The material in this product may vary in colour from batch to batch. Colour matching from one batch to another cannot be guaranteed.
25. After installation this product must be tested as required by the appropriate government and/or statutory regulations.
26. Ventair Pty Ltd will not be liable for any advice given to the consumer from any of our suppliers or third parties, related or otherwise.
27. The important safeguards and instructions in this manual are not designed to cover every possible condition or circumstance. It is understood that common sense, caution and care are factors that cannot be built into the product, those using and maintaining this product must supply these factors.

Parts list



Operation unit	1 piece
Infrared lamp (E27)	2 pieces
Tri-Colour Downlight	1 piece
Installation instruction & hole-cut-ting template	1 piece
Ventiduct kit	1 set
Duct clip	1 piece Ø120mm, 2 pieces Ø150mm
Switch	1 piece
Exterior vent	1 piece

Specifications

Model number	MR2DXWH / MR2DXBL
Rated Voltage	230 - 240 VAC
Rated Frequency	50 Hz
Rated Power	550-610 W

Ventair Pty Ltd has a policy of continual product improvement and development, dimensions, hardware and designs may change to reflect this policy. Ventair Pty Ltd reserves the right to discontinue or change product specifications and designs at any times without notice and without incurring obligations. The image including all features and specifications in this manual are for illustrative purposes only. Product details, images and line drawings may vary depending on specific product model.

Installation considerations

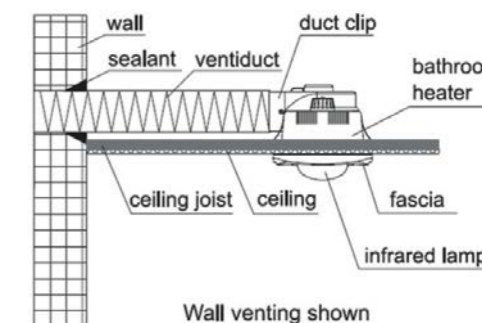
- The unit must not be installed directly above a shower or bath. The unit must not be installed where water may splash onto the bulbs.
- The unit must not be installed beneath a fixed socket.
- The unit is designed for installation on flat ceilings only. Do not install on sloping ceiling or on a vertical wall.
- The infrared heating bulbs are most effective when you are standing directly beneath them, install the unit above where you would stand to dry yourself. To obtain the best heating effect, we recommend there is between 2.3 and 2.7 metres from the bulbs to the floor.

- For the exhaust fan to work effectively, replacement air of a volume equivalent to what is being extracted must be able to enter the room. If the room is airtight, leave a door or window open slightly to allow enough airflow.
- Before commencing installation, check the ceiling space to ensure there are no obstructions such as ceiling joists, and that there is sufficient height clearance for the housing.

Installation

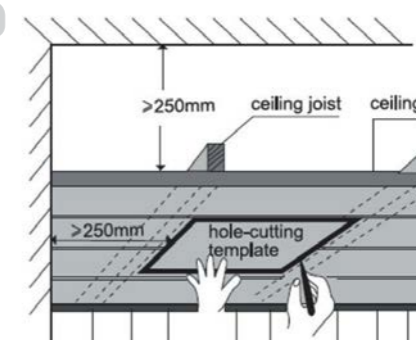
1. Turn the power OFF.
2. Locate a desired position on the ceiling, do not cut a hole yet.
3. As the duct is only 3.0 m, make sure that the distance from the centre of the installation position is not more than 3.0 m from the exterior vent outlet. It is not recommended to use ducting longer than 3.0 m as this will lower the performance of the exhaust fan. Check desired position suits duct length.

Fig. 1



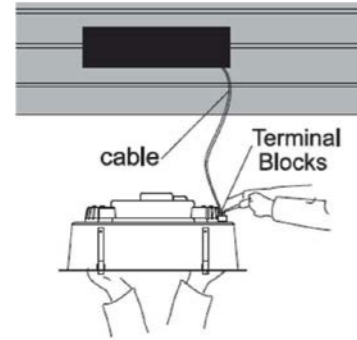
4. Locate a position for the exterior vent on the wall not more than 3.0 m from the unit, and allows the ducting to remain straight. (Refer Fig. 1)

Fig. 2



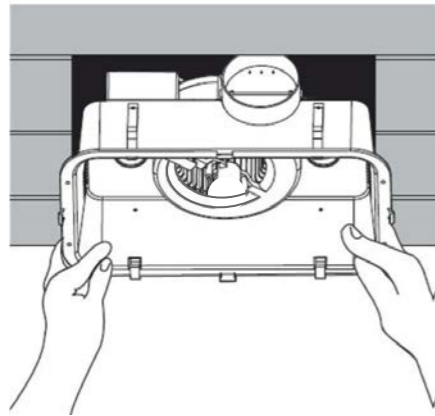
5. Place this template against the ceiling and use it to mark the hole outline on the ceiling, ensuring there is minimum 250mm between the edges of the unit and any wall, and minimum cavity height of 250mm. Cut the hole for the unit. (Refer Fig. 2)
6. Keep unit clear from insulation, use a barrier to keep loose-filled insulation material away from unit.
7. Cut a 155mm diameter hole for the exterior vent outlet.
8. Connect one end of the ducting to the exterior vent with the duct clips provided, and let the other end enter the room through the hole into the vent hole and seal the space around the hole.
9. Remove all bulbs from the unit, unclip the internal fascia retaining springs inside the housing, unplug the LED at the connector and remove the fascia.
10. Connect one end of the interconnecting cable wire with the switch panel.

Fig. 3



11. Open the terminal block cover on the housing and make connections as per wiring diagram and reattach the terminal block cover. (Refer Fig. 3)
12. Attach the end of the ducting to the adapter, and fit the adapter to the unit outlet, and secure with the duct clips provided.

Fig. 4



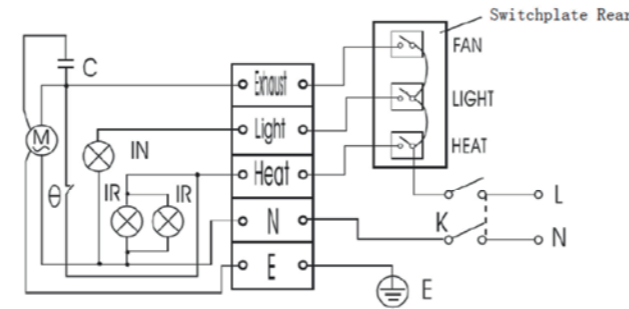
13. Position the Bathroom Heater/Exhaust/Light unit into the hole, making sure the duct outlet is aligned with the exterior vent, ensure all cabling is away from the housing, and secure in place with the side spring clips. (Refer Fig. 4)
14. Fix the housing into the ceiling using the four fixing screws.

Note:

Fixing screws included are for timber fixings only, for all alternate fixing materials, appropriate screws must be sourced by the installer or consumer!

15. Plug in the downlight and attach the fascia to the unit using the internal fascia retaining springs inside the housing.
16. Install the bulbs until fit is secure, do not over-tighten or under-tighten.
17. Clean the bulbs and fascia.
18. Attach the switch panel to the wall.

Wiring Diagram



M:Motor C:Capacitor IR:Heat lamp IN:Light lamp
 K: All-pole disconnection switch ⚡:Heat protector

Note:

This unit is fitted with a thermostat switch which will automatically switch the exhaust fan ON, in the event the heat bulbs are left on, and the internal temperature exceeds 90°C.

Operation

- Heat: Turn 'HEAT' switch on/off.
 The infrared heat bulbs provide the source of heat, do not touch while they are in use.
- Fan: Turn 'FAN' switch on/off.
 The exhaust fan will extract the steam and odours quickly and efficiently.
- Light: Turn 'LIGHT' switch on/off.
 Turn the lights off when you leave the room.

Maintenance

Cleaning:

- Turn the power OFF.
- Wipe bulbs and fascia with care using a damp soft cloth with just a small amount of neutral detergent.

Bulb Replacement:

- Check and tighten the bulbs regularly.
- Turn the power OFF.
- Use max. 2 x 275W E27 R125 Infrared heat bulbs
- ONLY use designated bulbs, other bulbs may cause damage or danger.

Warranty

Ventair Pty Ltd offers original purchaser a repair or replacement of the Manrose product in cases where the product fails due to defective materials or workmanship, when installed and operated under normal domestic/residential conditions for 3 years from the original date of purchase. Refer to the warranty card for further details.

MANROSE®

SIERRA

PREMIUM HEAT, LIGHT AND EXHAUST **3 in 1**

BY VENTAIR PTY LTD
 4 CAPITAL PLACE
 CARRUM DOWNS VIC 3201