

QUEST 100

#4044590



- + Compact Size
- + Digital Controls
- + Industry-Leading Efficiency
- + Superior MERV-13 Air Filtration
- + Ducting Options for Divided Spaces
- + Auto-Restart After Power Outages

Serial Number _____

Install Date _____

Sold By _____



Patents: thermastor.com/patents

TABLE OF CONTENTS

Safety Precautions	3	7.5 Refrigerant Charging.....	21
1. Intended Application.....	4	7.6 Impeller Fan Replacement.....	21
2. Registrations	4	7.7 Compressor/Capacitor Replacement.....	21
3. Specifications.....	4	7.7A Checking Compressor Motor Circuits....	21
4. Installation	5	7.7B Replacing a Burnt Compressor	22
4.1 Location.....	5	7.7C Replacing Compressor-Nonburn Out	23
4.2 Ducting	6	7.8 Remote Controls	23
4.3 Condensate Water Removal	10	7.8A Humidity Control.....	23
4.4 Hanging Diagram	11	7.9 Defrost Mode.....	23
4.5 Electrical Requirements.....	12	7.10 Condensate Pump Kit	23
5. Control Options	13	7.11 Power Cord Replacement	24
5.1 Onboard Dehumidistat.....	13	Wiring Diagram.....	12
5.2 External Control Options.....	13	Service Parts List	26
5.3 External Control.....	14	Optional Parts List	26
6. Maintenance	15	8. Error Codes.....	28
6.1 Standard Air Filter.....	15	9. Decommissioning.....	29
7. Service.....	16	Warranty.....	31
7.1 Warranty.....	16		
7.2 Technical Description	16		
7.3 Service Personnel	16		
7.3A Checks to Electrical Devices.....	17		
7.3B Repairs to Sealed Components	17		
7.3C Repairs to Intrinsically Safe Components.....	18		
7.3D Detection of Flammable Refrigerants...	18		
7.3E Refrigerant Removal and Evacuation	19		
7.3F Charging Procedures	19		
7.4 Troubleshooting	19		




4201 Lien Rd. Madison, WI 53704
 (877) 420-1330 | Thermastor.com
 © 2023 Therma-Stor LLC

SAFETY PRECAUTIONS

Read the installation, operation and maintenance instructions carefully before installing and operating this device. Proper adherence to these instructions is essential to obtain maximum benefit from your Quest dehumidifier.

READ AND SAVE THESE INSTRUCTIONS

- » The device is designed to be installed INDOORS IN A SPACE THAT IS PROTECTED FROM RAIN AND FLOODING.
- » Install the unit with space to access the back or side panels for maintenance and service. DO NOT INSTALL UNIT WITH THE SERVICE PANELS INACCESSIBLE.
- » Avoid directing the discharge air at people, or over the water in pool areas.
- » If used near a pool, spa, or water: be certain there is NO chance the unit could fall into the water or be splashed and that it is plugged into an outlet that is a GROUND FAULT INTERRUPT protected circuit.
- » DO NOT use the device as a bench or table.
- » DO NOT place the device directly on structural members. Provide vibration isolation in order to minimize operational vibration and/or noise.
- » A drain pan MUST be placed under the unit if installed above a living area or above an area where water leakage could cause damage.
- » Never operate a unit with a damaged power cord. If the power cord is damaged it must be replaced by the manufacturer, its service agent, or similarly qualified person in order to avoid a hazard.
- » Make all electrical connections in accordance with the current edition of the NEC ANSI/NFPA 70 and any national and local codes or ordinances that may apply.
- » Maintain a minimum 3 ft. (1 m.) clearance to avoid obstructing the air return and supply.
- » This appliance is not intended for use by persons (including children) with reduced physical, sensory or mental capabilities, or lack of experience and knowledge, unless they have been given supervision or instruction concerning use of the appliance by a person responsible for their safety. Children should be supervised to ensure that they do not play with the appliance.
- » Not intended for use at altitudes over 6500 ft (2000M).

 **WARNING** Do not use means to accelerate the defrosting process or to clean, other than those recommended by the manufacturer.

The appliance shall be stored in a room without continuously operating ignition sources (for example: open flames, an operating gas appliance, or an operating electric heater.

Do not pierce or burn. Be aware that refrigerants may not contain an odor.



**REFRIGERANT
SAFETY GROUP
A2L**

1. INTENDED APPLICATION FOR QUEST 100

The Quest 100 Dehumidifier is designed to operate in temperatures between 56° and 95°F.

In order to efficiently control humidity levels, the area in which the dehumidifier is to be operated must be free of water intrusion or excessive fresh (outside) air infiltration. Before installing the Quest 100 Dehumidifier, water intrusion and air infiltration problems should be addressed or noted in calculations.

2. REGISTRATIONS

The Quest 100 Dehumidifier units conform to unified standard UL 60100-2-40, CSA C22, 2#60100-2-40. US Patents: D570,988 / 8,069,681 / 9,052,132.

3. SPECIFICATIONS @ 80°F / 60% RH

UNIT	QUEST 100 4044590	
CFM:	280 @ 0.0" WG	
POWER:	540 Watts	
SUPPLY VOLTAGE:	110-120 Volt 1 Phase - 60 Hz	
CURRENT DRAW:	5.0A	
RATED CURRENT DRAW: (104 F 36%)	9.1A	
MINIMUM CIRCUIT AMPACITY (MCA):	15A	
MAXIMUM OVERCURRENT PROTECTION (MOP):	15A	
RECOMMENDED BREAKER SIZE:	15A	
ENERGY FACTOR (L/KWH):	3.5 L/kWh	
OPERATING TEMP:	56 F Min - 95 F Max	
WATER REMOVAL (PINTS/DAY):	100	
EFFICIENCY (PINTS/KWH):	7.5	
AIR FILTER (MERV-13):	Size: 12" x 14" x 1"	
POWER CORD:	10', 115 VAC, Ground	
DRAIN CONNECTION:	3/4" Threaded NPT	
REFRIGERANT TYPE:	R454B	
REFRIGERANT AMOUNT:	1 lb 2 oz	
DIMENSIONS:	Unit	Shipping
WIDTH:	24"	26.5"
HEIGHT:	14.5"	18.5"
LENGTH:	16"	18.75"
WEIGHT:	60 lb	65 lb

*** MCA = Minimum Circuit Ampacity**

This number provides a qualified electrician with the information needed to determine the minimum wire size used in the circuit that feeds a single dehumidifier.

*** MOP = Maximum Overcurrent Protection**

This number provides a qualified electrician with the value of the maximum size circuit breaker that may be used to protect the circuit that feeds a dehumidifier.

Specifications are subject to change without notice.

4. INSTALLATION

4.1 LOCATION

The Quest 100 Dehumidifier can be installed in a variety of locations to meet the owner's needs as listed below. In all cases keep the following cautions in mind:

- » Locate the dehumidifier near a suitable drain (8' drain hose included). Allow for proper drainage and routing of needed drain pipes.
- » Locate the dehumidifier in an area where the cord's length (9') easily reaches a 115 VAC electrical outlet with a minimum of a 15 Amp circuit capacity.
- » The unit is designed to operate while level. If the unit is placed on an unlevel surface, refer to section below (Installing Leveling Feet). Failure to level the unit may result in leakage or improper drainage.
- » Allow sufficient clearance to handle the unit's overall dimensions as well as any optional return and supply ductwork to the unit.
- » Allow sufficient clearance for filter removal and to prevent airflow obstruction.
- » Electrical service access will require the removal of the top "L" shaped panel. Allow sufficient clearance around the unit.
- » The Quest 100 Dehumidifier may be suspended with steel hanger, straps, or a suitable alternative from structural members, unit must be supported from underneath. Don't hang from sides or ends. See section 4.4
- » The unit should be suspended with a hang kit from the floor joists if there is any possibility of flooding. A flooded unit is not covered by warranty. Feet will be installed as a securing measure after the hang kit is put on the dehumidifier. DO NOT hang the Quest 100 dehumidifier from its' cabinet.
- » The minimum floor area of the room shall be 28 m² (square meters).
- » Keep any required ventilation openings clear of obstruction.
- » Ducts connected to the dehumidifier shall not contain a POTENTIAL IGNITION SOURCE.
- » Supply and return air shall be directly ducted to the space. Open areas such as false ceilings shall not be used as a return air duct.

Unventilated Areas

- » Unventilated Areas where the Quest 100 dehumidifier is installed or stored need to be so constructed that should any refrigerant leak, it will not stagnate so as to create a fire or explosion hazard.
- » Quest 100 dehumidifier shall not be stored or ducted into one or multiple rooms with continuously operating open flames (for example an operating gas appliance) or other POTENTIAL IGNITION SOURCES (for example an operating electric heater, hot surfaces). A flame-producing device may be installed in the same space if the device is provided with an effective flame arrest.

4.2 DUCTING

Return and supply duct collars are optional accessories for the Quest 100 and not included with the unit.

⚠ CAUTION! Do not connect with a static pressure greater than or equal to +1.0 WG. Contact technical support at (877) 420-1330 for additional details.

DUCTING CONSIDERATIONS:

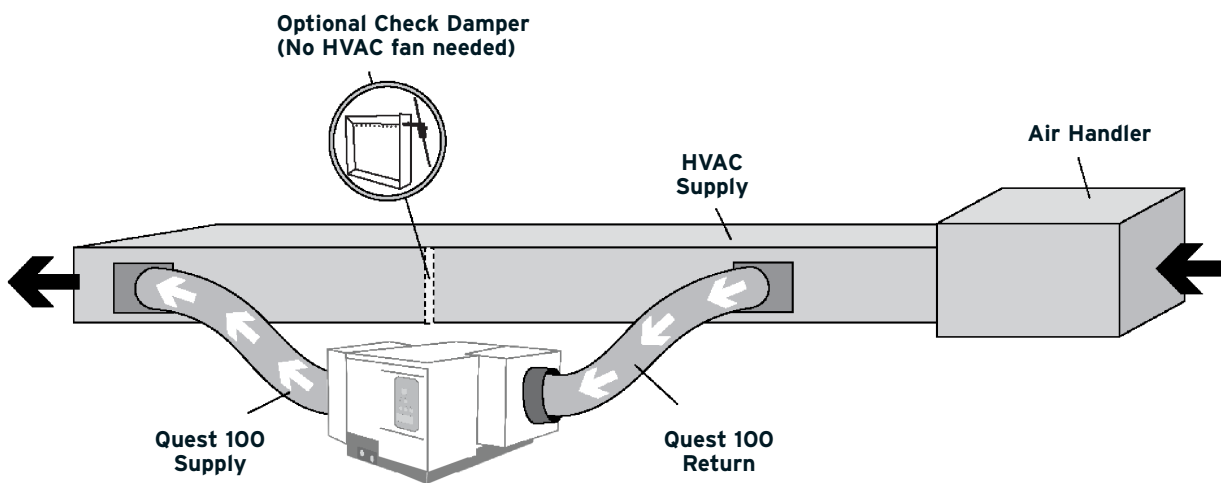
- » All flexible ducting connected to the Quest 100 should be UL listed.
- » A short piece of flexible ducting on all Quest 100 duct connections is recommended to reduce noise and vibration transmitted to rigid ductwork in the structure.
- » Use a minimum 10" diameter round or equivalent rectangular duct for total duct lengths of up to 25'.
- » Grills or diffusers on the duct ends must not excessively restrict airflow.
- » A length of 8" or more of insulated flex duct or any other vibration isolating material on the outlet of the Quest 100 will reduce air noise from the blower.
- » When ducting two or three areas, use 8" or larger diameter branch ducting. When ducting to four or more areas, use 6" or larger diameter branch ducting. Provisions must be made to provide airflow supply locations to the central return location. Proper air distribution is important to ensure even humidity control and heat distribution throughout the structure.

DUCTING TO HVAC OPTIONS

A. HVAC SUPPLY TO SUPPLY

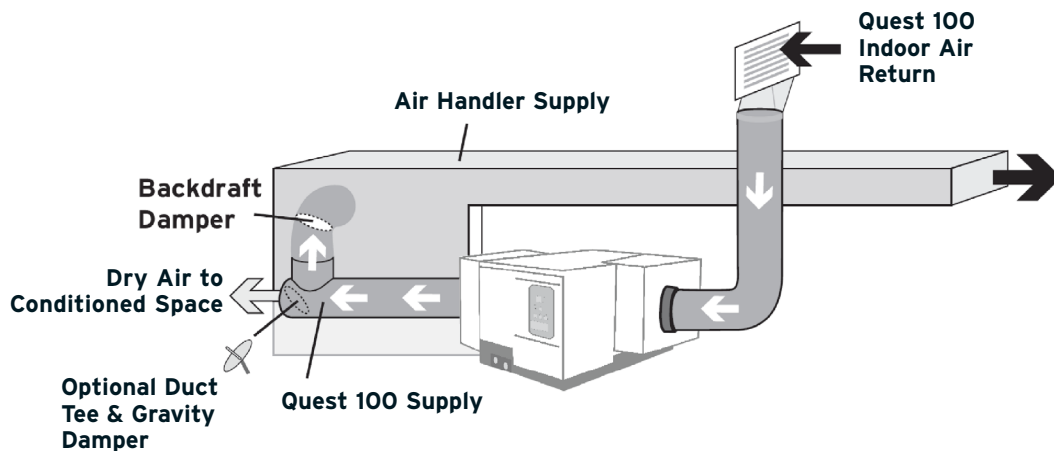
⚠ CAUTION!

To avoid the dehumidifier cycling in and out of DEFROST, it is recommended that the leaving air temperature of the A/C coil is not below 55°F. Also, this install is not recommended for climates where the heating system will run during the spring and fall times of year, as this could diminish the water removal capability of the dehumidifier. If the Check Damper is not used, it is important to have the HVAC system fan ON when the dehumidifier is ON to prevent backflow of air.



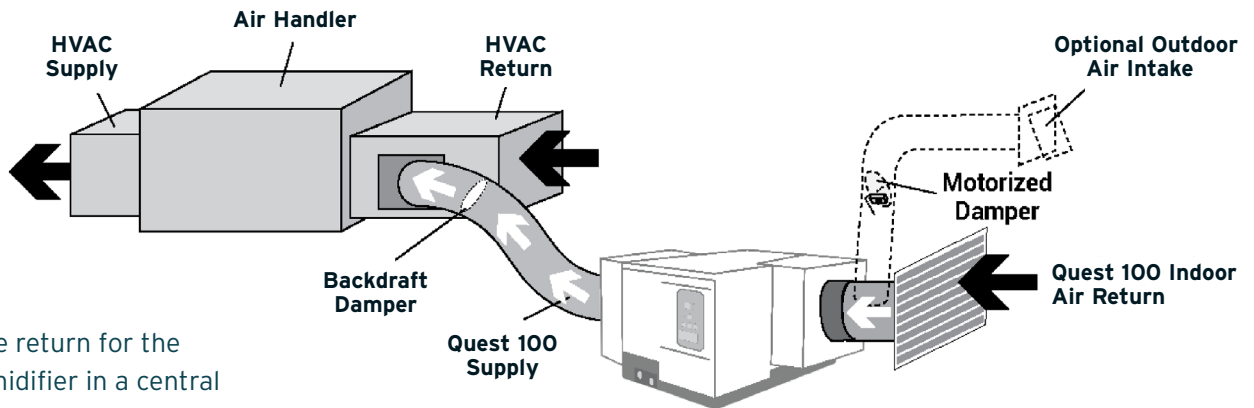
⚠ WARNING! Due to pressure resistance it is not recommended to use the optional outdoor air intake when installing the dehumidifier supply to supply.

B. DEDICATED RETURN TO SUPPLY



⚠ CAUTION! PLEASE NOTE: Return to Return installs are to be considered last resort options and are not recommended. The dehumidifier will heat the AC cooling coils which diminishes the amount of water the AC system will remove when operating. If this installation is chosen, the dehumidifier must activate the HVAC blower and AC calls need to lock out the dehumidifier from running. Please check your local codes prior to installing.

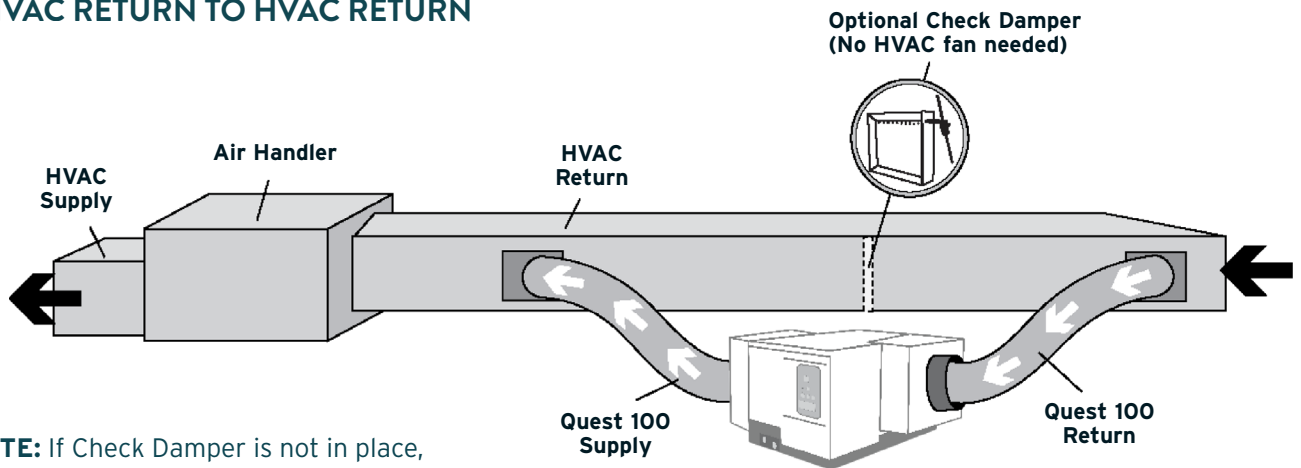
C. DEDICATED QUEST RETURN TO HVAC RETURN



Create a separate return for the Quest 100 Dehumidifier in a central area of the building.

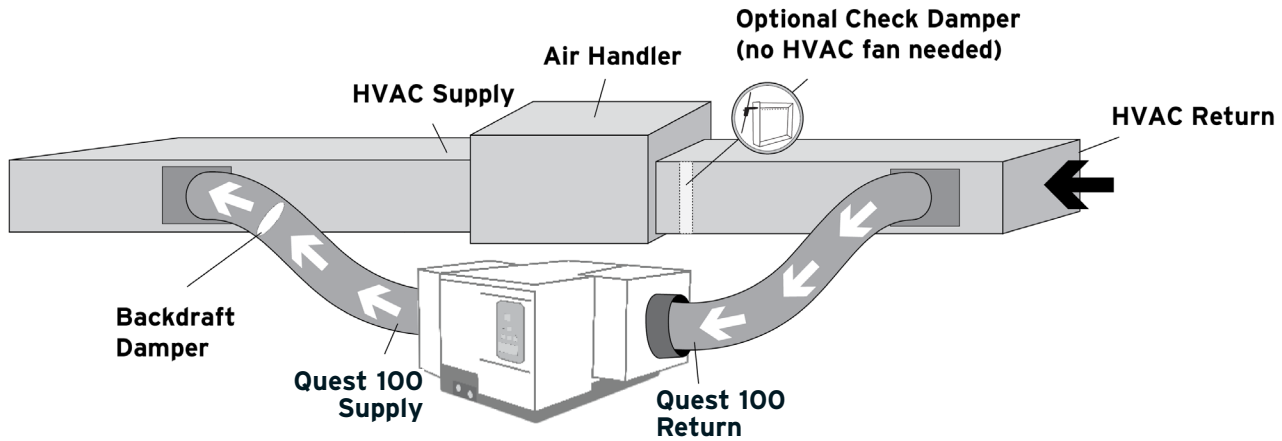
Installing the supply air from the Quest 100 Dehumidifier to the return of the HVAC system requires the HVAC fan to run when the Quest Dehumidifier is operating.

D. HVAC RETURN TO HVAC RETURN



NOTE: If Check Damper is not in place, the HVAC fan must ON when the dehumidifier is in operation.

E. HVAC RETURN TO HVAC SUPPLY



Check Damper should be in place between the Return and Supply connections of the dehumidifier.

If the Check Damper is not in place, the HVAC fan must be ON when the dehumidifier is in operation.

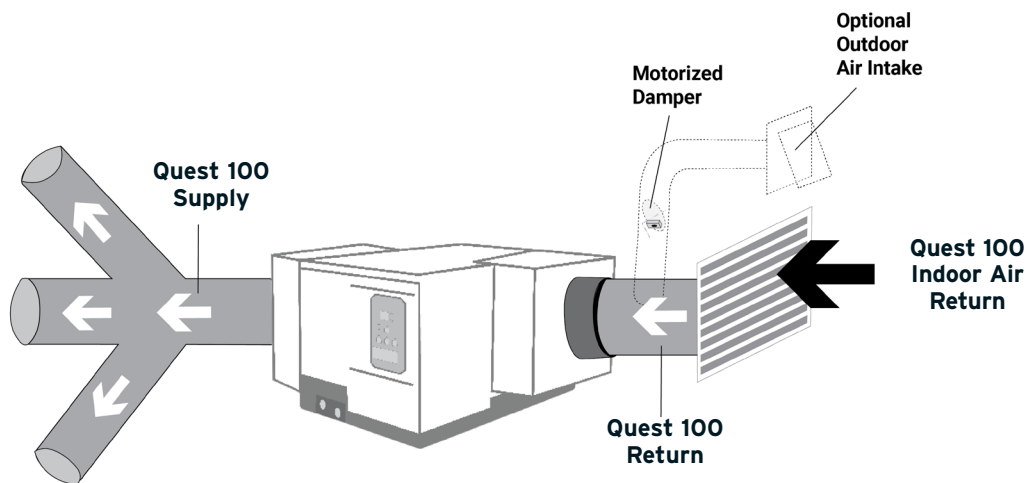
Anything greater than 0.4" of static requires HI fan setting. Anything greater than 0.7" of static requires HI override (99). Anything greater than 0.9" is not recommended.

F. NO EXISTING DUCTWORK INSTALLATION

When installing the Quest 100 Dehumidifier in a structure that does not have a forced-air HVAC system, a single return for the dehumidifier should be installed in a central location. The supply air should be ducted back into the space you want to dry. Proper air distribution is important for optimal performance of the dehumidifier.

Install a 6" insulated duct from outside, teeing into the 8" return duct of the Quest 100 Dehumidifier to provide outdoor air ventilation (optional).

An 8" diameter duct is recommended for branches to larger areas.

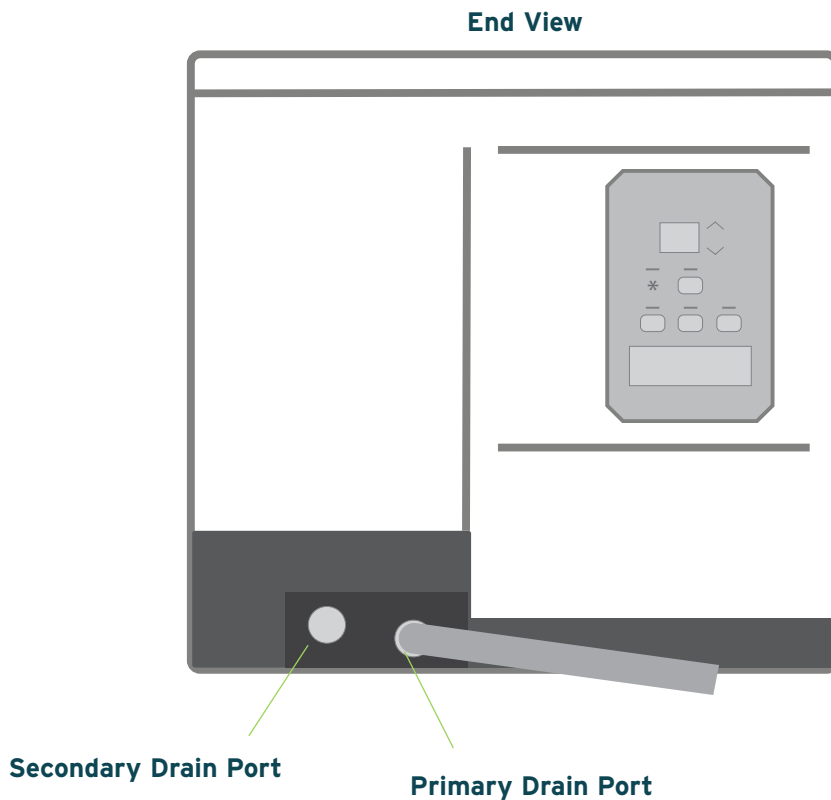


4.3 CONDENSATE WATER REMOVAL

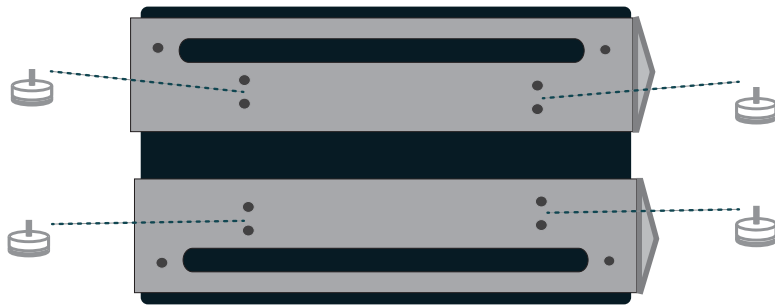
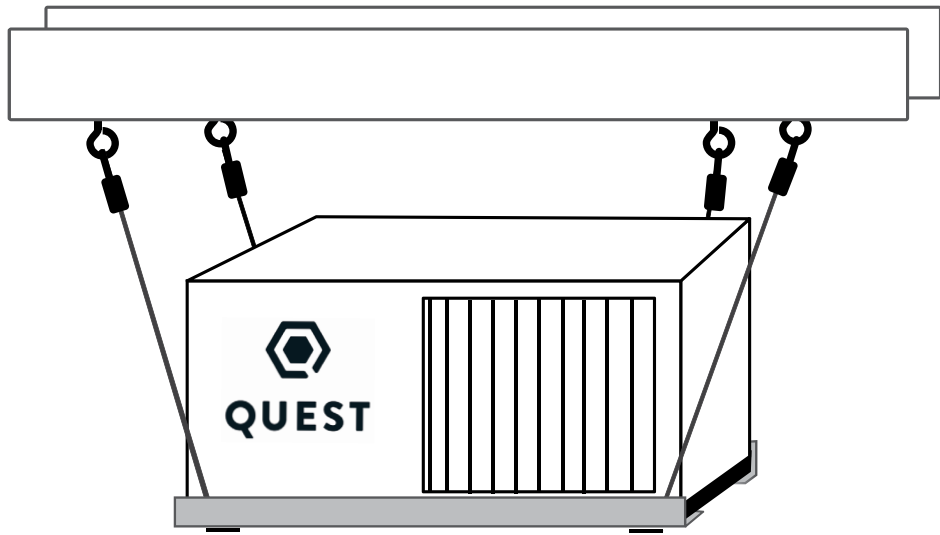
NOTE: This unit is positively pressured and using a p-trap is not recommended.

OUTPUT TO DRAIN OR BUCKET.

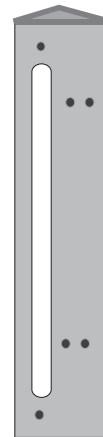
- A. If the provided drain hose does not reach your drain, rigid PVC tubing is readily available from your local hardware store. Be sure the extension is at a downward slope to the drain.
- B. An optional condensate pump kit may be installed if lift is required to remove condensate. To order, contact your local dealer or visit our website at www.questclimate.com.



4.4 HANGING DIAGRAM, QUEST 100



Bottom view of dehumidifier and two brackets (not included)



Hang Bracket (PN 4042836)

NOTE: LEVELING FEET HOLD BRACKETS IN PLACE

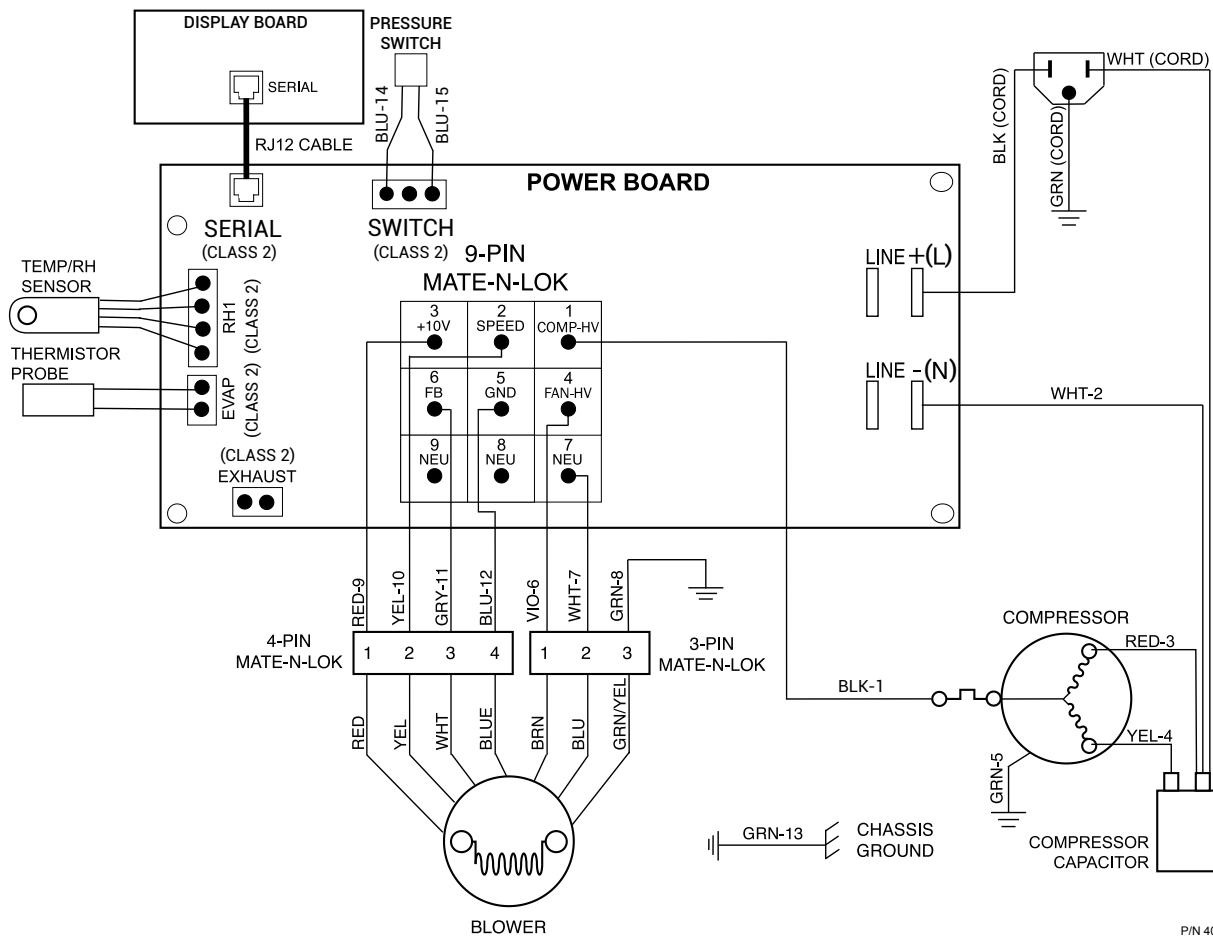
4.5 ELECTRICAL REQUIREMENTS

The Quest 100 dehumidifier plugs into a common grounded 115VAC outlet. The dehumidifier draws 5.0 Amps at 80 F and 60% RH. Locate the dehumidifier in an area where the cord's length (9') easily reaches a 115 VAC electrical outlet with a minimum of 15 Amp circuit capacity. If used in an area that may become wet, a GFCI protected circuit is recommended. The unit should not be used in areas prone to flooding. Consult local electrical codes for any further information.

An optional remote dehumidistat is available for use with the Quest 100 dehumidifier and is to be located remotely from the dehumidifier.

⚠ CAUTION! ELECTRICAL SHOCK HAZARD: Electrical power must be present to perform some tests. These tests should be performed by a qualified service person.

WIRING SCHEMATIC



P/N 4042336 Rev. B

5. CONTROL OPTIONS

The Quest 100 Dehumidifier can be controlled by its on board dehumidistat or with an external control using its low voltage terminal block.

5.1 ONBOARD DEHUMIDISTAT

Off Mode: Fan, Compressor, Display and all LEDs are off

To Turn Unit On: Press the power button

On Mode: Display is on and shows the set point (Initial set point: 55% RH)

To Change Set Point:

- Press the up or down arrow once, the 2-digit display will begin to blink.
- Adjust to desired RH. Each push of the button will change the SP 1% RH.
- After 6 seconds without a button being pushed the number showing will become the new SP



DEFROST LIGHT

- The light over the snowflake will light up when defrost is occurring (ice is detected on coils). The fan will be on, and the compressor will be off during defrost.



FILTER RESET

- Filter reset button will light up after the fan has been running for 2,000 hours.
- After changing the filter, press and hold the filter reset button to reset the 2,000-hour timer. Light flashes while button is held.



DARK MODE

- Press the Dark Mode button to activate Dark Mode.
- Once Dark Mode is activated, lights will remain on for 20 seconds before the unit's hygrosstat will go dark. Dark Mode light will flash for 3 seconds before unit goes dark.
- Unit will temporarily leave dark mode when any button is pushed and will go dark 20 seconds after the last button is pushed.
- To turn off Dark Mode, press the Dark Mode button and ensure light above Dark Mode button is off.
- This mode is for applications where the user would like the unit to operate without emitting any light.

FAN



Pressing the Fan button changes the fan mode:

- Changes the fan mode from Auto: only run fan with dehumidifying (Au) to Always On: fan runs continuously to circulate air (On)

Changing Max Fan Speed

The unit is factory set to the most efficient operating speed. When the unit is ducted, increase the fan speed to ensure no loss in performance. This is done by pressing and holding both arrow keys for > 3 seconds. This will enter the service menu and display “Er” (Errors).

- Use the arrow down arrow key to navigate to the “SF” (Set Fan) menu. Press the FILTER RESET button to set the fan speed. The current speed will be flashing. Use the up and down arrow to adjust the fan speed. When desired fan speed is displayed press FILTER RESET to save the setting, the display will stop flashing. Then press the FAN button twice to exit the menu.
 1. Default: 55
 2. Ducted up to 0.4” static resistance: 70
 3. Max: 99

TERMINAL CONTROL

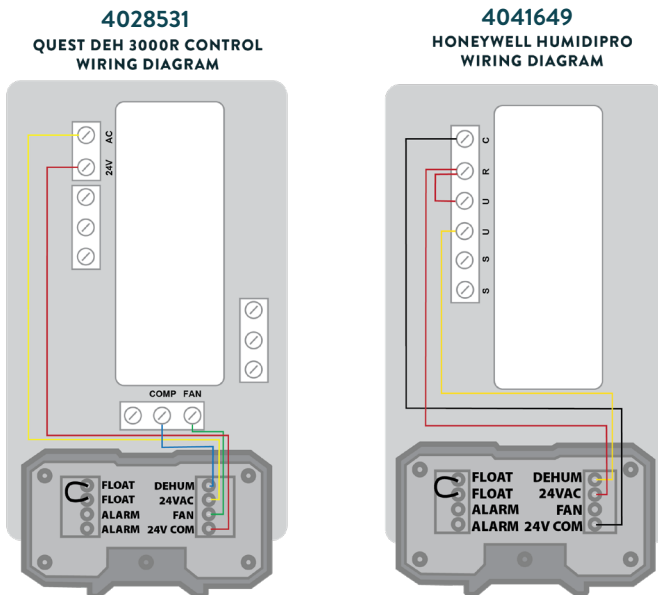


- When the Terminal Control button is pressed, the display will show “tc”.
- The Terminal Control button is used to activate the “DEHUM” input on the terminal block. (see section 5.1B)
- This must be activated when an external control is used to control RH. When Terminal Control is active, the internal RH sensor is disabled.

5.2 EXTERNAL CONTROL OPTIONS

Quest offers two external control options: Quest DEH 3000R and Honeywell Humidipro.

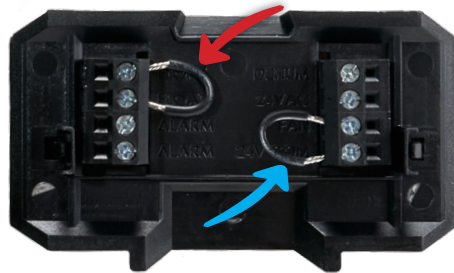
NOTE: 12 ga wire needed for sensor.



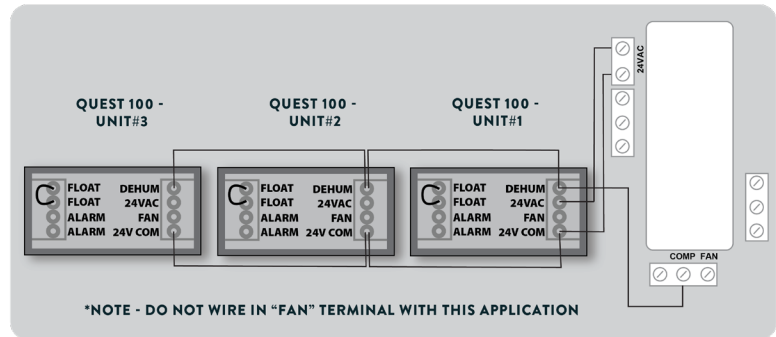
To order, contact your dealer, call 1-877-420-1330, scan below, or visit: www.questclimate.com/product-category/accessories/all-accessories/



5.3 QUEST 100 EXTERNAL CONTROL



DAISY CHAIN
QUEST DEH 3000R CONTROLLER



Remove the cover from the user interface to expose the terminal block inputs & outputs.

- Red Arrow (top):** Float jumper wire MUST be stay in place or unit will go into error.
- Blue Arrow (bottom):** This is an extra jumper wire that has no function in its factory-installed location. Move the wire up one spot to FAN and 24V for continuous fan operation.

Quest 100 Terminal Block Control Operations:

- DEHUM:** Dehumidification (Fan and Compressor) Control Input.
- 24VAC:** Transformer High Side Output to External Control.
- Fan:** Fan Control Input.
- 24V COM:** 24VAC Power Transformer Neutral Side Output to External Control.
- FLOAT:** External Low Voltage Float Switch or Water Sensor Input (Use Normally Closed Switch).
- FLOAT:** External Low Voltage Float Switch or Water Sensor Input (Use Normally Closed Switch).
- Alarm:** Normally Closed Relay Output - Indicates when dehumidifier is in an alarm state.
- Alarm:** Normally Closed Relay Output - Indicates when dehumidifier is in an alarm state.

NOTE: Alarm terminals are used to interface with a remote alarm or building automation system. The terminals switch when the unit has a malfunction and are factory set to "normally closed" but can be changed to "normally open".

6. MAINTENANCE

⚠ WARNING! NOTE: Do not operate the unit without the filter or with a less effective filter. The heat exchange coils inside the unit could become clogged and require disassembly to clean. Filter non-compliance invalidates the product warranty.

6.1 STANDARD AIR FILTER

The Quest 100 Dehumidifier ships with a standard MERV 13 efficient pleated fabric filter. This filter should be checked every six months. Operating the unit with a dirty filter will reduce dehumidifier capacity and efficiency and may cause the compressor to cycle off and on unnecessarily on the defrost control.

To access the air filter, remove the filter access panel from the end of the Quest 100 Dehumidifier. The filter should be readily visible and can be removed by pulling it straight out of the Quest 100 Dehumidifier.

We recommend changing the filter at least every 6 months. For agriculture we recommend changing the filter with every grow cycle.

7. SERVICE

⚠ WARNING! Servicing the Quest 100 with its high pressure refrigerant system and high voltage circuitry presents a health hazard which could result in death, serious bodily injury, and/or property damage. Only qualified service people should service this unit.

7.1 WARRANTY

A warranty certificate has been enclosed with this unit; read it before any repair is initiated. If a warranty repair is required, call the factory first at 1-877-420-1330 for warranty claim authorization and technical assistance.

7.2 TECHNICAL DESCRIPTION

The Quest 100 Dehumidifier uses a refrigeration system similar to an air conditioner's to remove heat and moisture from incoming air, and add heat to the air that is discharged.

Hot, high-pressure refrigerant gas is routed from the compressor to the condenser coil. The refrigerant is cooled and condensed by giving up its heat to the air that is about to be discharged from the unit. The refrigerant liquid then passes through a filter/drier and expansion device which causes the refrigerant pressure and temperature to drop. It next enters the evaporator coil where it absorbs heat from the incoming air and evaporates. The evaporator operates in a flooded condition, which means that all the evaporator tubes contain liquid refrigerant during normal operation. A flooded evaporator should maintain nearly constant pressure and temperature across the entire coil, from inlet to outlet.

The compressor collects the cool refrigerant gas and compresses it to a high pressure and temperature to repeat the process.

7.3 SERVICE PERSONNEL

Only qualified HVAC or electrical contractors are allowed to conduct maintenance, service and/or repair operations on Quest 100 machines. Examples include but are not limited to breaking into the refrigerating circuit, opening of sealed components, and/or opening of ventilated enclosures.

Prior to beginning work on the Quest 100 machine, safety checks are necessary to ensure that the risk of ignition is minimized.

- » For repair to the REFRIGERATING SYSTEM, a qualified contractor should first establish a controlled procedure so as to minimize the risk of a flammable gas or vapor being present while the work is being performed
- » All maintenance staff and others working in the local area shall be instructed on the nature of work being carried out. Work in confined spaces shall be avoided.
- » The area shall be checked with an appropriate refrigerant detector prior to and during work, to ensure the technician is aware of potentially toxic or flammable atmospheres. Ensure that the leak detection equipment being used is suitable for use with all applicable refrigerants, i.e. non-sparking, adequately sealed or intrinsically safe.
- » If any hot work is to be conducted on the refrigerating equipment or any associated parts, appropriate fire extinguishing equipment shall be available to hand. Have a dry powder or CO2 fire extinguisher adjacent to the charging area.

CONTINUES ON NEXT PAGE.

- » No person carrying out work in relation to a REFRIGERATING SYSTEM which involves exposing any pipe work shall use any sources of ignition in such a manner that it may lead to the risk of fire or explosion. All possible ignition sources, including cigarette smoking, should be kept sufficiently far away from the site of installation, repairing, removing and disposal, during which refrigerant can possibly be released to the surrounding space. Prior to work taking place, the area around the equipment is to be surveyed to make sure that there are no flammable hazards or ignition risks. "No Smoking" signs shall be displayed.
- » Ensure that the area is in the open or that it is adequately ventilated before breaking into the system or conducting any hot work. A degree of ventilation shall continue during the period that the work is carried out. The ventilation should safely disperse any released refrigerant and preferably expel it externally into the atmosphere.

The following checks shall be applied to installations using flammable refrigerants:

- » Where electrical components are being changed, they shall be fit for the purpose and to the correct specification. At all times Therma-Stor's maintenance and service guidelines shall be followed. If in doubt, consult Therma-Stor's technical department for assistance.
- » The actual REFRIGERANT CHARGE is in accordance with the room size within which the refrigerant containing parts are installed;
- » The ventilation machinery and outlets are operating adequately and are not obstructed;
- » Marking to the equipment continues to be visible and legible. Markings and signs that are illegible shall be corrected;
- » Dehumidifiers are installed in a position where they are unlikely to be exposed to any substance which may corrode refrigerant containing components, unless the components are constructed of materials which are inherently resistant to being corroded or are suitably protected against being so corroded.

7.3A CHECKS TO ELECTRICAL DEVICES

Repair and maintenance to electrical components shall include initial safety checks and component inspection procedures. If a fault exists that could compromise safety, then no electrical supply shall be connected to the circuit until it is satisfactorily dealt with. If the fault cannot be corrected immediately but it is necessary to continue operation, an adequate temporary solution shall be used. This shall be reported to the owner of the equipment so all parties are advised.

Initial safety checks shall include:

- » that capacitors are discharged: this shall be done in a safe manner to avoid possibility of sparking;
- » that no live electrical components and wiring are exposed while charging, recovering or purging the system;
- » that there is continuity of earth bonding.

7.3B REPAIRS TO SEALED COMPONENTS

- » During repairs to sealed components, all electrical supplies shall be disconnected from the equipment being worked upon prior to any removal of sealed covers, etc. If it is absolutely necessary to have an electrical supply to equipment during servicing, then a permanently operating form of leak detection shall be located at the most critical point to warn of a potentially hazardous situation.

- » Particular attention shall be paid to the following to ensure that by working on electrical components, the casing is not altered in such a way that the level of protection is affected. This shall include damage to cables, excessive number of connections, terminals not made to original specification, damage to seals, incorrect fitting of glands, etc.
- » Ensure that the equipment is mounted securely.
- » Ensure that seals or sealing materials have not degraded to the point that they no longer serve the purpose of preventing the ingress of flammable atmospheres
- » Replacement parts shall be in accordance with Therma-Stor specifications.

7.3C REPAIRS TO INTRINSICALLY SAFE COMPONENTS

- » Do not apply any permanent inductive or capacitance loads to the circuit without ensuring that this will not exceed the permissible voltage and current permitted for the equipment in use.
- » Intrinsically safe components are the only types that can be worked on while live in the presence of a flammable atmosphere. The test apparatus shall be at the correct rating.
- » Replace components only with parts specified by Therma-Stor. Other parts may result in the ignition of refrigerant in the atmosphere from a leak.
- » NOTE The use of silicon sealant can inhibit the effectiveness of some types of leak detection equipment. Intrinsically safe components do not have to be isolated prior to working on them.
- » Check that cabling will not be subject to wear, corrosion, excessive pressure, vibration, sharp edges or any other adverse environmental effects. The check shall also take into account the effects of aging or continual vibration from sources such as compressors or fans.

7.3D DETECTION OF FLAMMABLE REFRIGERANTS

Under no circumstances shall potential sources of ignition be used in the searching for or detection of refrigerant leaks. A halide torch (or any other detector using a naked flame) shall not be used.

The following leak detection methods are deemed acceptable for all refrigerant systems.

- Electronic leak detectors may be used to detect refrigerant leaks but, in the case of FLAMMABLE REFRIGERANTS, the sensitivity may not be adequate, or may need re-calibration. (Detection equipment shall be calibrated in a refrigerant-free area.) Ensure that the detector is not a potential source of ignition and is suitable for the refrigerant used. Leak detection equipment shall be set at 25% LFL of the refrigerant and shall be calibrated to 454B.
- Leak detection fluids are also suitable for use with most refrigerants but the use of detergents containing chlorine shall be avoided as the chlorine may react with the refrigerant and corrode the copper pipe.
- **NOTE:** Examples of leak detection fluids are:
 - » bubble method
 - » fluorescent method agents.
 - » If a leak is suspected, all open flames shall be removed/extinguished.

If a leakage of refrigerant is found which requires brazing, all of the refrigerant shall be recovered from the system, or isolated (by means of shut off valves) in a part of the system remote from the leak. Removal of refrigerant shall be according to Clause DD.9 of 60335-2-40.

7.3E REFRIGERANT REMOVAL AND EVACUATION

When breaking into the refrigerant circuit to make repairs - or for any other purpose - conventional procedures shall be used. However, for FLAMMABLE REFRIGERANTS it is important that best practice is followed since flammability is a consideration. The following procedure shall be adhered to:

- remove refrigerant;
- purge the circuit with inert gas (optional for A2L);
- evacuate (optional for A2L);
- purge with inert gas (optional for A2L);
- open the circuit by cutting or brazing.
- The REFRIGERANT CHARGE shall be recovered into the correct recovery cylinders. Compressed air or oxygen shall not be used for purging refrigerant systems.
- Ensure that the outlet for the vacuum pump is not close to any POTENTIAL IGNITION SOURCES and that ventilation is available.

7.3F CHARGING PROCEDURES

In addition to conventional charging procedures, the following requirements shall be followed:

- Ensure that contamination of different refrigerants does not occur when using charging equipment. Hoses or lines shall be as short as possible to minimize the amount of refrigerant contained in them.
- Cylinders shall be kept in an appropriate position according to the instructions.
- Ensure that the REFRIGERATING SYSTEM is grounded prior to charging the system with refrigerant.
- Label the system when charging is complete (if not already).
- Extreme care shall be taken not to overfill the REFRIGERATING SYSTEM.
- Prior to recharging the system, it shall be pressure-tested with the appropriate purging gas. The system shall be leak-tested on completion of charging but prior to commissioning. A follow up leak test shall be carried out prior to leaving the site.

7.4 TROUBLESHOOTING

Unit Test to determine problem:

1. Detach any exterior control wiring by removing terminal block but jump both FLOAT terminals together.
2. Reinstall terminal block into the control.
3. Plug unit in to known good power outlet: 120 volts.
4. Power unit on by pressing power button on top of control.
5. Make sure the Terminal Control light is NOT illuminated. Press button to change.
6. Press down arrow to set the unit below 20% until "On" is displayed. This will force the unit on.
7. Listen for the fan to turn on almost immediately.
8. Wait 1 to 2 minutes for the compressor to turn on.
9. If these tests work, the problem is most likely in the control or field wiring.

Neither fan nor compressor running. Dehumidification is being called for. No fan call.

1. Unit unplugged or no power to outlet.
2. Humidity control set too high.
3. Loose connection in internal or control wiring.
4. Bad control or power board.
5. Defective control transformer.

Compressor is not running. Dehumidification is being called for. No fan call.

1. Defective compressor run capacitor.
2. Loose connection in compressor circuit.
3. High pressure switch open or unplugged.
4. Defective compressor.
5. Compressor relay defective or unplugged.
6. Temp & RH sensor reading above 120 F or below 40 F, or sensor is bad or unplugged.

Compressor cycles on and off. Dehumidification is being called for. No fan call.

1. Low ambient temperature and/or humidity causing unit to cycle through defrost mode.
2. Evaporator temp sensor bad or unplugged.
3. Defective compressor.
4. High pressure switch defective.
5. Dirty air filter(s) or air flow restricted.
6. Bad control or power board.

Fan is not running. Dehumidification or fan is being called for.

1. Loose connection in fan circuit.
2. Obstruction prevents fan impeller rotation.
3. Defective fan.
4. Bad control or power board.

Low dehumidification capacity (evaporator is frosted continuously). Dehumidification is being called for.

1. Evaporator temp sensor bad or unplugged.
2. Low refrigerant charge.
3. Dirty air filter(s) or air flow restricted.
4. Excessively restrictive ducting connected to unit.

Unit removes some water, but not as much as expected.

1. Air temperature and/or humidity have dropped.
2. Humidity meter and or thermometer used are out of calibration.
3. Unit has entered defrost cycle.
4. Air filter dirty.
5. Low refrigerant charge.
6. Air leak (eg. loose cover or ducting leaks).
7. Defective compressor.

CONTINUES ON NEXT PAGE.

8. Restrictive ducting.
9. Unit is in (Lo)w fan mode.
10. Evaporator temp sensor bad or unplugged.
11. Temp and RH sensor off calibration. Reading lower than actual.

Filter Change Light illuminated (too frequently):

1. Change filter if dirty.
2. Hold filter change button to reset filter life hours.

7.5 REFRIGERANT CHARGING

If the refrigerant charge is lost due to service or a leak, a new charge must be accurately weighed in. If any of the old charge is left in the system, it must be recovered before weighing in the new charge. Refer to the unit nameplate for the correct charge weight and refrigerant type.

7.6 IMPELLER FAN REPLACEMENT

The motorized impeller fan is a unitary assembly consisting of the motor and impeller fan. If defective, the complete assembly must be replaced.

1. Unplug the power cord.
2. Remove the access panel, and top panel.
3. Disconnect the impeller fan leads on side of the electric box.
4. Remove fan/bracket assembly by removing two screws from the bracket and inlet ring assembly.
5. Remove the defective impeller fan from the bracket and replace with it with the new impeller fan.

7.7 COMPRESSOR/CAPACITOR REPLACEMENT

This compressor is equipped with a run capacitor, but no start capacitor or start relay.

7.7A CHECKING COMPRESSOR MOTOR CIRCUITS

Perform the following tests if the impeller fan runs but the compressor does not with a call for dehumidification.

1. Remove the cabinet side to gain access to the electrical components.
2. Plug in the unit and turn the humidity control to ON. Check for volts from compressor black wires on compressor relay to white wire on compressor capacitor using an AC voltmeter.
 - 2.1 If correct voltage is present, go to next step.
 - 2.2 If no voltage, there may be a loose connection in the compressor circuit. Test each component for continuity. See the appropriate section if a defect is suspected.
3. Unplug the unit and then disconnect the connector from the side of the compressor. Using an ohmmeter, check continuity between the points listed below.
4. Compressor terminals C and S: No continuity indicates an open start winding. The compressor must be replaced. Normal start winding resistance is 1 to 2 ohms.
5. Compressor terminals C and R: No continuity indicates an open run winding. The compressor must be replaced. Normal run winding resistance is 1 to 2 ohms.
6. Compressor terminals S and R: No continuity indicates an open winding. The compressor must be replaced. Normal winding resistance is 2 to 4 ohms.
7. Any compressor terminal and compressor case: Continuity indicates a grounded motor. The compressor must be replaced.

CONTINUES ON NEXT PAGE.

8. Disconnect the wires from the run capacitor. The capacitor is shorted and must be replaced if continuity exists between any terminal and ground.
9. Using capacitor or MFD setting on meter test between both capacitor terminals. Compare reading to capacitor spec on capacitor.
10. If the above test pass but the compressor does not work, the compressor has an internal mechanical defect and must be replaced.
11. Using capacitor or MFD setting on meter test between both capacitor terminals. Compare reading to capacitor spec on capacitor.
12. If the above test pass but the compressor does not work, the compressor has an internal mechanical defect and must be replaced.

7.7B REPLACING A BURNT COMPRESSOR

The refrigerant and oil mixture in a compressor is chemically very stable under normal operating conditions. However, when an electrical short occurs in the compressor motor, the resulting high temperature arc causes a portion of the refrigerant oil mixture to break down into carbonaceous sludge, a very corrosive acid, and water. These contaminants must be carefully removed otherwise even small residues will attack replacement compressor motors and cause failures.

The following procedure is effective only if the system is monitored after replacing the compressor to insure that the clean up was complete.

1. This procedure assumes that the previously listed compressor motor circuit tests revealed a shorted or open winding.
2. Remove and properly dispose of the system charge. DO NOT vent the refrigerant or allow it to contact your eyes or skin.
3. Remove the burned out compressor. Use rubber gloves if there is any possibility of contacting the oil or sludge.
4. To facilitate subsequent steps, determine the type of burn out that occurred. If the discharge line shows no evidence of sludge and the suction line is also clean or perhaps has some light carbon deposits, the burn out occurred while the compressor was not rotating. Contaminants are therefore largely confined to the compressor housing. A single installation of liquid and suction line filter/driers will probably clean up the system.

If sludge is evident in the discharge line, it will likely be found in the suction line. This indicates the compressor burned out while running. Sludge and acid have been pumped throughout the system. Several changes of the liquid and suction filter/driers will probably be necessary to cleanse the system.

5. Correct the system fault that caused the burn out. Consult the factory for advice.
6. Install the replacement compressor with a new capacitor and an oversized liquid line filter.
In a running burn out, install an oversized suction line filter/drier between the accumulator and compressor. Thoroughly flush the accumulator with refrigerant to remove all trapped sludge and to prevent the oil hole from becoming plugged. A standing burn out does not require a suction line filter/drier.
7. Evacuate the system with a good vacuum pump and accurate vacuum gauge. Leave the pump on the system for at least an hour.
8. Operate the system for a short period of time, monitoring the suction pressure to determine that the suction filter is not becoming plugged. Replace the suction filter/drier if pressure drop occurs. If a severe running burn out has occurred, several filter/driers may have to be replaced to remove all of the acid and moisture.

NOTE: NEVER USE THE COMPRESSOR TO EVACUATE THE SYSTEM OR ANY PART OF IT.

7.7C REPLACING A COMPRESSOR, NON BURN OUT

Remove the refrigerant from the system. Replace the compressor and liquid line filter/drier. Charge the system to 50 PSIG and check for leaks. Remove the charge and weigh in the refrigerant quantity listed on the nameplate. Operate the system to verify performance.

7.8 REMOTE CONTROLS

The Quest 100 dehumidifier can be controlled by a remote hygostat. You may or may not have the connection options shown in section 5.2 depending on the model of the remote hygostat you purchased. If the Quest 100 dehumidifier fails to operate as desired, always check the settings of the controls to ensure that they are correct. Check that the controls are receiving 24VAC from the Quest 100 dehumidifier. Check the connections between the Quest 100 dehumidifier, the hygostat, and the field control wiring.

7.8A HUMIDITY CONTROL

The humidity control is an adjustable switch that closes when the relative humidity of the air in which it is located rises to the set point. It opens when the RH drops 4 to 6% below the set point. If the Quest 100 dehumidifier does not run, try turning the humidity control Down using arrow on control pad. If it then runs, the humidity control is out of calibration or the RH is below setpoint.

7.9 DEFROST MODE

The Quest 100 dehumidifier is equipped with an automatic defrost mechanism. If the Quest 100 dehumidifier operates in conditions that develop frost on the evaporator, it will sense the frost build-up and automatically defrost the evaporator. The Quest 100 dehumidifier may not appear to be operating correctly during the defrost sequence, but once the defrost sequence is completed, the Quest 100 dehumidifier will resume dehumidifying.

The evaporator temperature sensor is installed into the center of the evaporator coil. It will automatically shut the compressor off and turn on the snowflake defrost light if the temperature drops due to excessive frost formation on the evaporator coil. The impeller fan will continue to run, causing air to flow through the evaporator coil and melt the ice. When the ice has melted, the evaporator temperature will rise, and the control will restart the compressor and turn off the snowflake defrost light.

7.10 CONDENSATE PUMP KIT

An optional condensate pump kit is available from the factory for use with the Quest 100 Dehumidifier. Condensate is automatically pumped to a remote location when the water level in the pump's reservoir rises to close the float switch.

The pump also contains a safety float switch. The white leads from this switch extend from beneath the pump cover. These leads should be extended to the FLOAT terminals on the terminal block and the factory float jumper removed. If the pump fails, the safety switch opens causing the compressor to stop and water production to cease before the reservoir overflows. E4 will be displayed on the control panel. The Quest 100 dehumidifier will not dehumidify until this switch closes.

7.11 POWER CORD REPLACEMENT

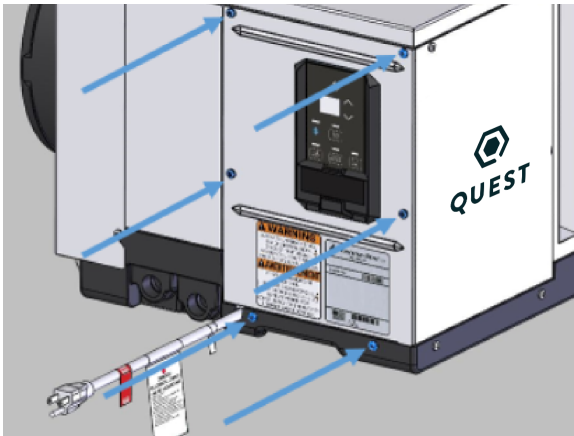
⚠ WARNING! Servicing the Quest 100 Dehumidifier, with its high pressure refrigerant system and high voltage circuitry presents a health hazard which could result in death, serious bodily injury, and/or property damage. Only qualified service people should service this unit.

TOOLS REQUIRED:

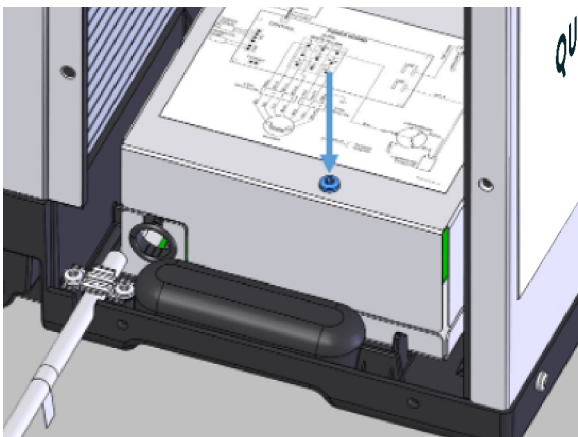
- T25 Torx Driver
- 11/32" Driver

Following all local and national electrical codes and standards, route electrical service to the location that the dehumidifier will be installed.

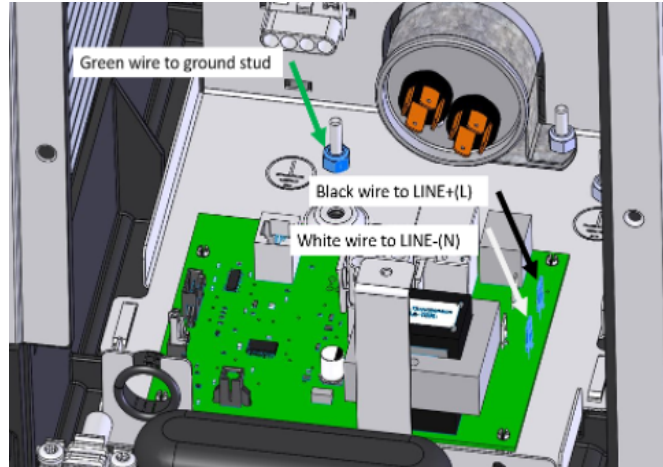
1. Disconnect power cord from power source.
2. Use T25 Torx driver to remove 6 screws on access panel and remove panel. Modular cable will be connected to User Interface Assembly. Cable must be carefully unplugged during removal of access panel.



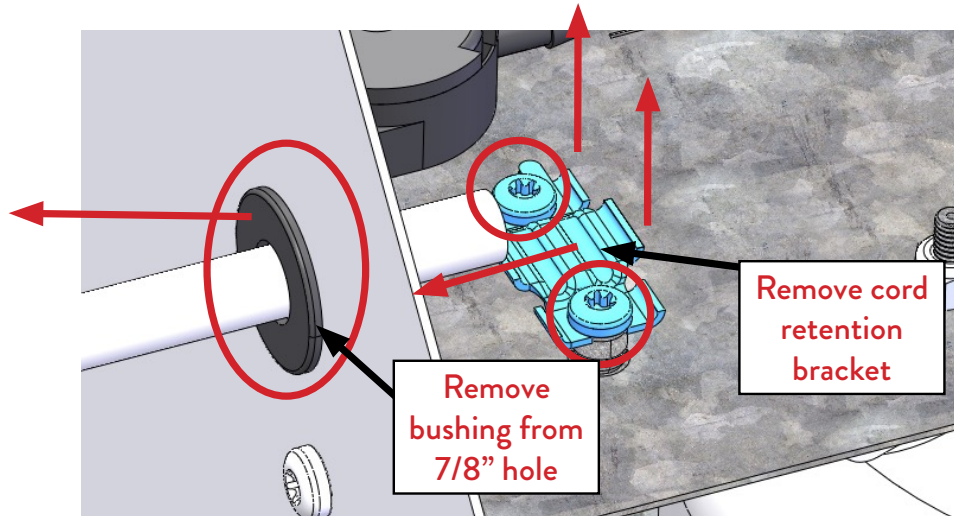
3. Use T25 Torx driver to remove screw from electrical box cover and remove cover.



4. Disconnect BLACK wire from LINE+(L) terminal
Disconnect WHITE wire from LINE-(N) terminal
5. Use 11/32" driver to remove nut from ground stud and disconnect GREEN wire from ground stud.

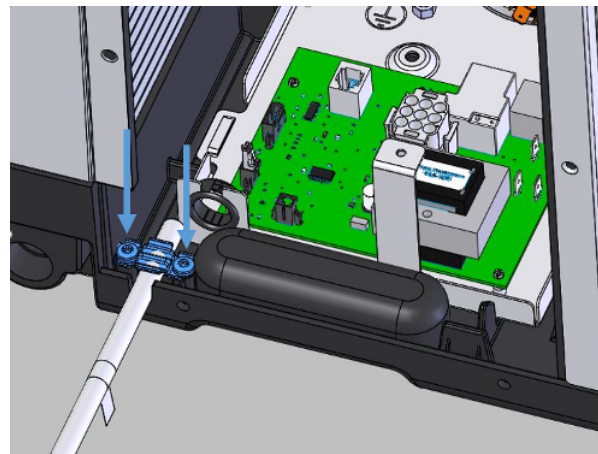


6. Remove the 2 screws holding the cord retention bracket using T25 Torx driver and remove retention bracket.
7. Remove old power cord and insert new cord in its place. Install cord retention bracket and cord retention screws using T25 Torx driver.



8. Place green wire ring terminal on ground stud and use 11/32" driver to secure nut to stud.
 - Connect WHITE wire from LINE-(N) terminal.
 - Connect BLACK wire from LINE+(L) terminal.

9. Replace electrical box cover and use T25 Torx driver to secure screw.
10. Connect modular cable to User Interface Assembly.
11. Place panel on unit and use T25 Torx driver to secure 6 screws on access panel.



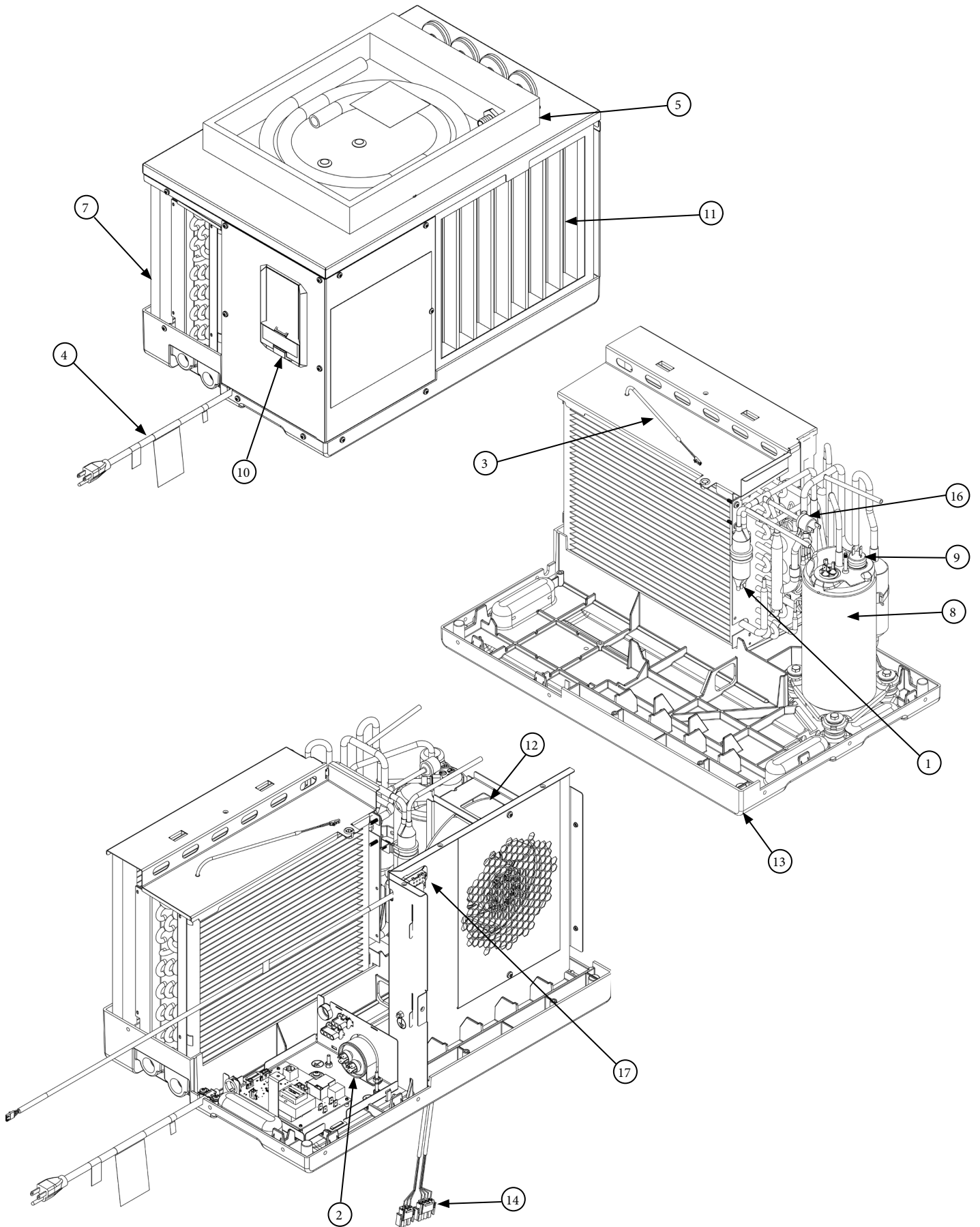
SERVICE PARTS LIST FOR QUEST 100 (PN 4044590)

Item	Part No	Description	Item	Part No	Description
1	4029510	Drier	10	4041909	Display Assembly
2	4033032-07	Compressor Capacitor	11	4042005	Filter
3	4034716-04	Evap Temp Probe	12	4042066-01	Impeller
4	4036523	Cord	13	4042119-01	Base/Drain Pan
5	4038635	Hose and Feet Kit	14	4042338	Wire Harness
6	4038789-01	Comm Cable*	15	4042463	Power/Control Assembly*
7	4039294	Condenser	16	4043292	High Pressure Switch
8	4039814	Compressor	17	4042061	Temp & RH Sensor
9	4039815	Overload			

* not pictured

OPTIONAL PARTS LIST

Part No	Qty	Description	Part No	Qty	Description
4022220	1	Pump Kit (110-120V)	4028531	1	DEH 3000R Control, Remote
4042265	1	Supply/Return Duct Kit	4042836	2	Bracket, Hanging (2 Required)



A warranty certificate has been enclosed with this unit; read it before any repair is initiated. If a warranty repair is required, call the factory first at 1-877-420-1330 for warranty claim authorization and technical assistance.

8. QUEST 100 DIGITAL CONTROL: ERROR CODES

MACHINE DISPLAY	NAME	POSSIBLE CAUSE(S)	TROUBLESHOOTING	SERVICE NEEDED
Error code "E1"	RH SENSOR ERROR	1. Broken sensor 2. Unplugged sensor	<ul style="list-style-type: none"> Dehumidifier fan will circulate air for 1 minute. Dehumidifier compressor will activate for 15 minutes. This process will repeat every 15 minutes. 	No Displays E1, but keeps running.
Error code "E2"	LOW DEWPOINT; 24V SHORT	1. Dewpoint below 40°F 2. Off calibration Humidity/ Temp sensor	<ul style="list-style-type: none"> Dehumidifier will circulate air for 50 seconds every 15 minutes. Dehumidifier will not operate until incoming air dew point reads above 40°F 	No
Error code "E3"	LOW REFRIGERANT	1. Refrigeration leak 2. Evaporator coil temp too high during extended operation	<ul style="list-style-type: none"> Dehumidifier will go into lock-out mode for 1 hour and then attempt to activate compressor. 	Yes
Error code "E4"	FLOAT SWITCH TRIPPED	1. Tripped float switch 2. 24V is shorted to Common 3. Terminal block unplugged from unit	<ul style="list-style-type: none"> The compressor and fan in the dehumidifier will remain off until the connection is fixed or the water event that activated the switch is resolved. 	Yes
Error code "E5"	COIL TEMPERATURE SENSOR	1. Broken sensor 2. Loose connection	<ul style="list-style-type: none"> Dehumidifier will go into lock-out mode for 1 hour and then activate compressor for 15 minutes After the compressor runs for 15 minutes, the unit will go into defrost mode for 30 minutes. 	No
Error code "E6"	TEMPERATURE TOO HIGH	1. Sensor reading incoming air temp is over 120°F 2. Broken sensor	<ul style="list-style-type: none"> Dehumidifier will circulate air for 15 minutes every hour. Dehumidifier will not operate until incoming air temp sensor reads below 120°F 	No
Error code "E7"	TEMPERATURE TOO LOW	1. Sensor reading incoming air temp is under 40°F 2. Broken sensor	<ul style="list-style-type: none"> Dehumidifier will circulate air for 50 seconds every 15 minutes. Dehumidifier will not operate until incoming air temp reads above 40°F. 	No
Error code "E8"	COMM ERROR	1. There is a cable connection issue 2. Defective power board	<ul style="list-style-type: none"> The power board will continue to run unit using the last settings but changes to operation cannot be made until communication is restored. 	Yes, if operational changes are required.
Error code "E9"	HIGH PRESSURE CUT-OUT	1. High pressure sensor has tripped due to excess pressure in the refrigeration system 2. Incoming air temp is too high	<ul style="list-style-type: none"> Power board will be in system protection mode. 	Yes, if the error persists when operating below 90°F incoming air

9. DECOMMISSIONING

Before carrying out this procedure, it is essential that the technician is completely familiar with the equipment and all its details. It is recommended good practice that all refrigerants are recovered safely. Prior to the task being carried out, an oil and refrigerant sample shall be taken in case analysis is required prior to re-use of recovered refrigerant. It is essential that electrical power is available before the task commences.

1. Become familiar with the equipment and its operation.
2. Isolate system electrically.
3. Before attempting the procedure, ensure that:
 - » mechanical handling equipment is available, if required, for handling refrigerant cylinders;
 - » all personal protective equipment is available and being used correctly;
 - » the recovery process is supervised at all times by a competent person;
 - » recovery equipment and cylinders conform to the appropriate standards.
4. Pump down refrigerant system, if possible.
5. If a vacuum is not possible, make a manifold so that refrigerant can be removed from various parts of the system.
6. Make sure that cylinder is situated on the scales before recovery takes place.
7. Start the recovery machine and operate in accordance with instructions.
8. Do not overfill cylinders (no more than 80 % volume liquid charge).
9. Do not exceed the maximum working pressure of the cylinder, even temporarily.
10. When the cylinders have been filled correctly and the process completed, make sure that the cylinders and the equipment are removed from site promptly and all isolation valves on the equipment are closed off.
11. Recovered refrigerant shall not be charged into another REFRIGERATING SYSTEM unless it has been cleaned and checked.

9.1 LABELLING DECOMMISSION MACHINES

Equipment shall be labelled stating that it has been de-commissioned and emptied of refrigerant. The label shall be dated and signed. For appliances containing FLAMMABLE REFRIGERANTS, ensure that there are labels on the equipment stating the equipment contains FLAMMABLE REFRIGERANT.

9.2 REFRIGERANT RECOVERY

When removing refrigerant from a system, either for servicing or decommissioning, it is recommended good practice that all refrigerants are removed safely.

When transferring refrigerant into cylinders, ensure that only appropriate refrigerant recovery cylinders are employed. Ensure that the correct number of cylinders for holding the total system charge is available. All cylinders to be used are designated for the recovered refrigerant and labelled for that refrigerant (i.e. special cylinders for the recovery of refrigerant). Cylinders shall be complete with pressure-relief valve and associated shut-off valves in good working order. Empty recovery cylinders are evacuated and, if possible, cooled before recovery occurs.

The recovery equipment shall be in good working order with a set of instructions concerning the equipment that is at hand and shall be suitable for the recovery of all appropriate refrigerants including, when applicable, FLAMMABLE REFRIGERANTS. In addition, a set of calibrated weighing scales shall be available and in good working order. Hoses shall be complete with leak-free disconnect couplings and in good condition. Before using the recovery machine, check that it is in satisfactory working order, has been properly maintained and that any associated electrical components are sealed to prevent ignition in the event of a refrigerant release. Consult manufacturer if in doubt.

The recovered refrigerant shall be returned to the refrigerant supplier in the correct recovery cylinder, and the relevant waste transfer note arranged. Do not mix refrigerants in recovery units and especially not in cylinders.

If compressors or compressor oils are to be removed, ensure that they have been evacuated to an acceptable level to make certain that FLAMMABLE REFRIGERANT does not remain within the lubricant. The evacuation process shall be carried out prior to returning the compressor to the suppliers. Only electric heating to the compressor body shall be employed to accelerate this process. When oil is drained from a system, it shall be carried out safely.

DO NOT DISCARD

IMPORTANT WARRANTY INFORMATION
QUEST 100 DEHUMIDIFIER LIMITED WARRANTY

WARRANTOR:

Therma-Stor LLC
 4201 Lien Rd
 Madison, WI 53704
 Telephone: 1-800-533-7533

**REGISTER YOUR NEW DEHUMIDIFIER**

using the serial number and part number at
www.thermastor.com/registration
 or scan code to the left

WHO IS COVERED: This warranty extends only to the original end-user of the Quest 100 Dehumidifier dehumidifier, and may not be assigned or transferred.

FIRST YEAR WARRANTY: Therma-Stor LLC warrants that, for one (1) year the Quest 100 Dehumidifier dehumidifier will operate free from any defects in materials and workmanship, or Therma-Stor LLC will, at its option, repair or replace the defective part(s), free of any charge.

SECOND THROUGH FIFTH YEAR WARRANTY: Therma-Stor LLC further warrants that for a period of five (5) years, the condenser, evaporator, and compressor of the Quest 100 Dehumidifier dehumidifier will operate free of any defects in material or workmanship, or Therma-Stor LLC, at its option, will repair or replace the defective part(s), provided that all labor and transportation charges for the part(s) shall be borne by the end-user.

END-USER RESPONSIBILITIES: Warranty service must be performed by a Servicer authorized by Therma-Stor LLC. If the end-user is unable to locate or obtain warranty service from an authorized Servicer, he should call Therma-Stor LLC at the above number and ask for the Therma-Stor LLC Service Department, which will then arrange for covered warranty service. Warranty service will be performed during normal working hours.

The End-user must present proof of purchase (lease) upon request, by use of the warranty card or other reasonable and reliable means. The end-user is responsible for normal care. This warranty does not cover any defect, malfunction, etc. resulting from misuse, abuse, lack of normal care, corrosion, freezing, tampering, modification, unauthorized or improper repair or installation, accident, acts of nature or any other cause beyond Therma-Stor LLC's reasonable control.

LIMITATIONS AND EXCLUSIONS: If any Quest 100 Dehumidifier part is repaired or replaced, the new part shall be warranted for only the remainder of the original warranty period applicable thereto (but all warranty periods will be extended by the period of time, if any, that the Quest 100 Dehumidifier is out of service while awaiting covered warranty service).

UPON THE EXPIRATION OF THE WRITTEN WARRANTY APPLICABLE TO THE Quest Dual DEHUMIDIFIER OR ANY PART THEREOF, ALL OTHER WARRANTIES IMPLIED BY LAW, INCLUDING MERCHANTABILITY AND FITNESS FOR A PARTICULAR PURPOSE, SHALL ALSO EXPIRE. ALL WARRANTIES MADE BY THERMA-STOR LLC ARE SET FORTH HEREIN, AND NO CLAIM MAY BE MADE AGAINST THERMA-STOR LLC BASED ON ANY ORAL WARRANTY. IN NO EVENT SHALL THERMA-STOR LLC, IN CONNECTION WITH THE SALE, INSTALLATION, USE, REPAIR OR REPLACEMENT OF ANY Quest Dual DEHUMIDIFIER OR PART THEREOF BE LIABLE UNDER ANY LEGAL THEORY FOR ANY SPECIAL, INDIRECT OR CONSEQUENTIAL DAMAGES INCLUDING WITHOUT LIMITATION WATER DAMAGE (THE END-USER SHOULD TAKE PRECAUTIONS AGAINST SAME), LOST PROFITS, DELAY, OR LOSS OF USE OR DAMAGE TO ANY REAL OR PERSONAL PROPERTY.

Some states do not allow limitations on how long an implied warranty lasts, and some do not allow the exclusion or limitation of incidental or consequential damages, so one or both of these limitation may not apply to you.

LEGAL RIGHTS: This warranty gives you specific legal rights, and you may also have other rights which vary from state to state.



QUESTCLIMATE.COM

(877) 420-1330