

INSTALLATION, USE AND CARE INSTRUCTIONS



OVATION 250 EXHAUST FAN

MODEL: OVA250SQ



BEFORE OPERATING THIS PRODUCT, READ AND FOLLOW THESE INSTRUCTIONS.

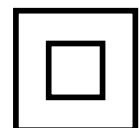
Save these instructions for future reference

Included in the box:

Main body with fascia	1 piece
Spigot	1 piece
Installation instructions and cut-out template	1 piece
Warranty card	1 piece

TECHNICAL SPECIFICATIONS

Input Voltage: 220-240V~ 50Hz
Motor Power: 60W
IP Rating: IPX4
Climatic Class: T
Air Delivery: 310 m³/h
Cut Out Size: Ø295 mm
Duct Size: 150 mm
Noise Level: 43 dB(A)
Minimum Install Depth: 220 mm



Class II

Dear customers, Thank you for selecting this VENTAIR Ceiling Exhaust Fan. Please read all instructions carefully before use.

IMPORTANT: This fan must be installed by a licensed electrician to comply with AS/NZS 3000:2018.

CONSIDERATIONS: For effective operation, replacement air must enter the room (e.g., via a 20mm door gap). Avoid opening windows during use. Install only in flat ceilings. Check ceiling space for obstructions and wiring before cutting.

WARNING

1. Use only as recommended in this manual.
2. This unit can be plugged into a standard power outlet. Any new outlets must be installed by a licensed electrician.
3. Ensure power is off at the mains before installation or maintenance.
4. Do not damage hidden electrical wiring or utilities when cutting.
5. **Standard Plug:** This appliance is supplied with a standard plug and lead. Ensure the power outlet used is in good working order and easily accessible for disconnection.
6. **Cablig:** Supply cabling must be rated for a minimum 10A load and be no lighter than ordinary duty.
7. **Gas Safety:** Precautions must be taken to avoid the back-flow of gases into the room from open flues of gas or other fuel-burning appliances.
8. **Cooking:** Do not install directly above or within 2m of a cooking appliance.
9. **Supervision:** Not intended for use by persons (including children) with reduced physical or mental capabilities unless supervised. Children must not play with the appliance.
10. Do not touch the unit or switches with wet hands.
11. Do not cover with insulation or other materials.
12. **Zone Safety:** This unit is IPX4 rated. If plugging into an existing outlet, ensure the outlet is located outside of 'Zone 1' as defined by AS/NZS 3000. Do not install where subject to direct water spray or leakage.
13. Always use a power source of the same voltage and frequency as indicated on the product label.

INSTALLATION

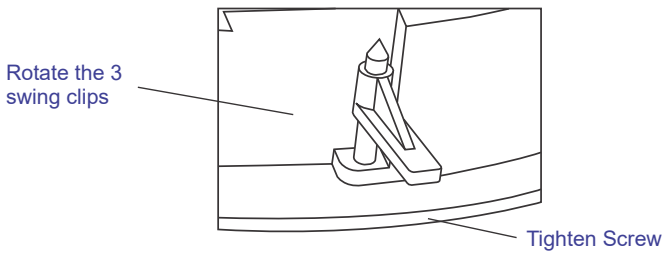
1) Cutting a vent (if required)

For installation where external venting is required, locate a suitable location in the exterior wall to vent out the exhaust fan air/steam and cut out a 155 mm hole.

2) Ceiling Thickness

For ceilings 13mm thick or less, secure the fan by pushing in the three swing clips and tightening screws (figure 1). For thicker ceilings, remove the swing clips and use wood screws (not supplied) through the three holes in the outer lip to secure.

(Figure 1)



3) Ducting

Put one end of a 150 mm diameter duct (not supplied) into the vent cut out and fill the space around the hole using a suitable sealant where necessary (not supplied) (figure 3).

4) Location

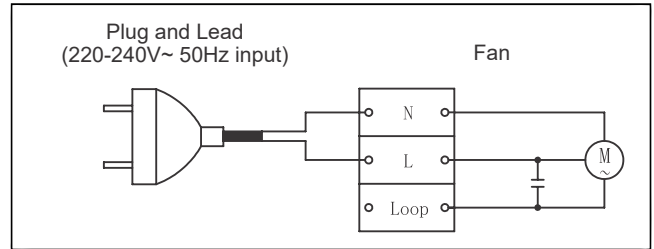
For the fan to work efficiently, there should be a minimum height of 2.1m from the fascia to the ground.

5) Preparing the Ceiling

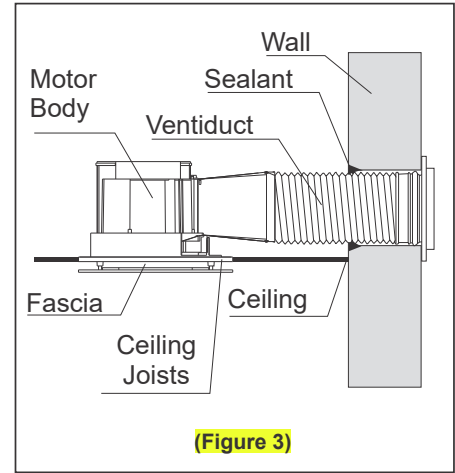
Use the template provided to mark the hole in the ceiling. Mark the centre point of the hole at least 350mm away from any walls or joists to ensure the swing clips have room to rotate. Check the vertical headroom is at least 220mm (refer to figure 4).

6) Wiring

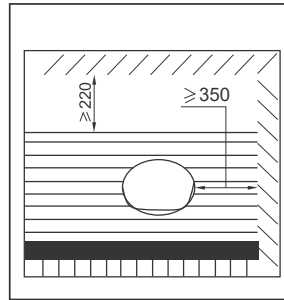
This model is fitted with a supply cord and plug. Insert the plug into a pre-installed power point (GPO) located in the ceiling space. Ensure the power point is switched OFF before inserting the plug (refer to figure 2).



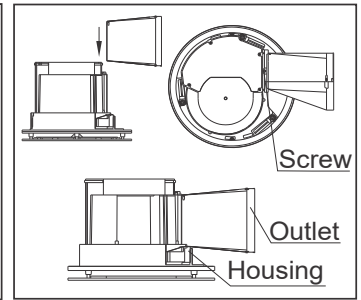
(Figure 2)



(Figure 3)



(Figure 4)



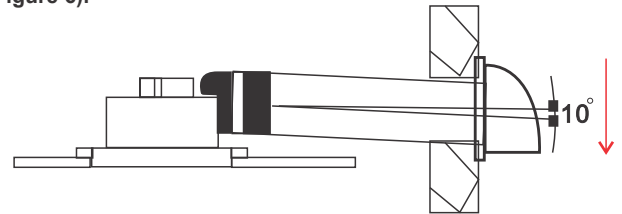
(Figure 5)

7) Mounting the Fan

First, orient the fan housing so the outlet aligns with the in-house ducting. Once aligned, insert the outlet into the duct. Next, use a screwdriver to remove the screw located near the fan's outlet. Slide the outlet into the body slot, then tighten the screw to secure the outlet and body together (figure 5).

Finally, insert the entire unit into the ceiling opening. Once the fan assembly is in position, rotate the swing clips to lock the fan body securely in place (Figure 9).

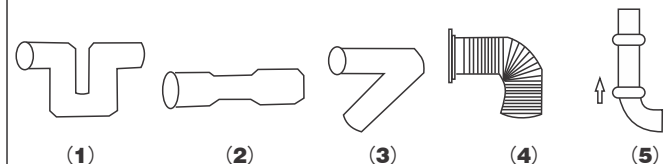
When installing the fan in a bathroom, the duct should decline downwards about 10 degrees to aid condensation removal (Figure 6).



(Figure 6)

NOTE: To ensure maximum possible airflow and performance, flexible ducting should be fully expanded with no unnecessary bends or vertical runs. Figure 7 illustrates examples of poor duct layout.

AVOID THE BELOW DUCT CONFIGURATIONS



(Figure 7)

8) Mounting the unit in the ceiling

- After inserting the fan assembly into the ceiling, rotate the swing clips to hold fan body in place (Figure 9), then tighten the screws so the clips securely mount the unit to the ceiling board (Figure 10).

9) Attach the fascia

To attach the fascia, squeeze each of its two spring clips together and insert them into the corresponding slots on the motor body (Figure 8).

OPERATION

- 1) Use the on/off switch to start or stop the unit.
- 2) Running the fan can exhaust odours and steam in a quick and efficient way.

IMPORTANT

- In the event of an electrical issue, immediately shut the power off at the main switchboard and contact a local, licensed electrician for inspection and any necessary service work.
- To prevent personal injury and avoid damaging the unit, never insert fingers or any objects into the fan.
- Do not install the unit in areas with severe water leakage.

MAINTENANCE

- Shut power off before cleaning or maintenance.
- Wipe fascia with care using a soft, damp cloth (soapy water may be used).
- Reattach fascia only when completely dry.

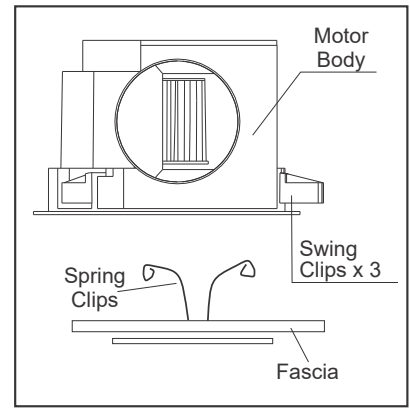
WARRANTY INFORMATION

Warranty Period: 3 year replacement warranty.

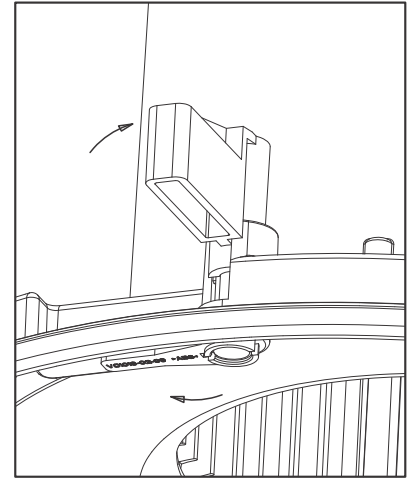
In-home (labour): N/A

Lodging a Warranty Claim: All warranty claims are lodged online by visiting <https://ventair.com.au/warranty/warranty/>

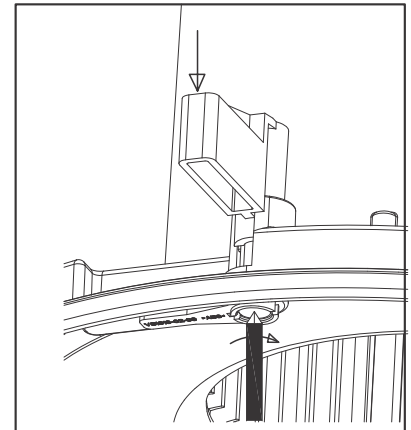
Warranty terms and conditions apply. Refer to the enclosed warranty card for additional information.



(Figure 8)



(Figure 9)



(Figure 10)



Do not dispose of electrical products with household waste. Please check with your local council for advice on disposal or recycling. If electrical appliances are disposed of in landfills or dumps, hazardous substances can leak into the groundwater and get into the food chain, damaging your health and well-being.

VENTAIR PTY LTD
4 CAPITAL PLACE
CARRUM DOWNS VIC 3201
PH: 03 9775 0556
EMAIL: support@ventair.com.au
WEBSITE: www.ventair.com.au